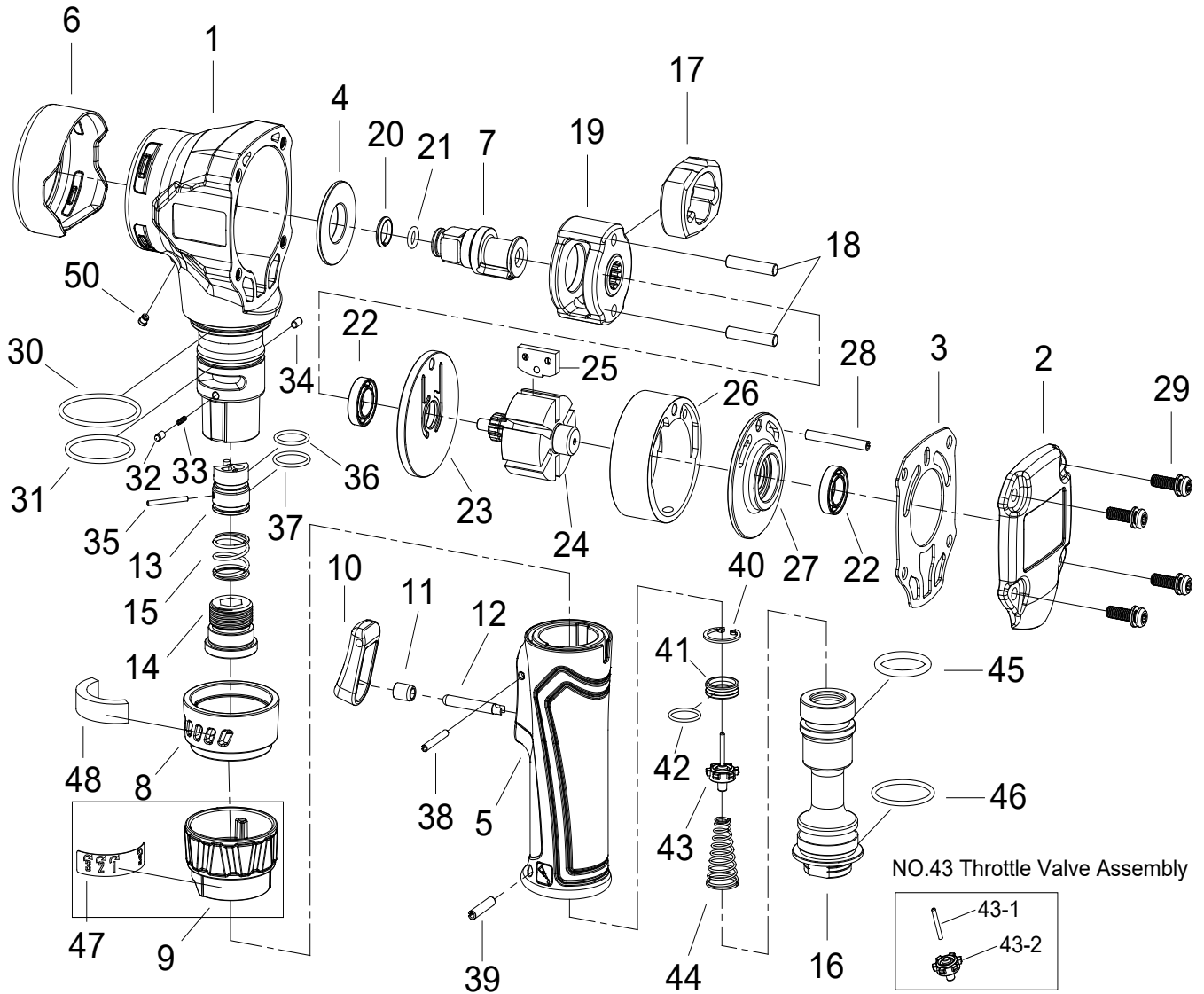


3/8" SQ. DR. SUPER DUTY AIR IMPACT WRENCH



1337

INDEX NO.	DESCRIPTION	REQ'D NO.	INDEX NO.	DESCRIPTION	REQ'D NO.
★ 01	Housing Assembly (incl.04)	1	27	Rear End Plate	1
02	Backhead	1	28	Spring Pin	1
03	Backhead Gasket	1	29	Screw	4
● 04	Bushing	1	30	O-Ring	1
★ 05	Handle Assembly (incl.11)	1	31	O-Ring	1
06	Rubber Grip	1	32	Pin	1
★ 07	Standard Anvil Assembly (incl.20.21)	1	33	Spring	1
08	Exhaust Deflector	1	34	Pin	1
★ 09	Reverse Valve Assembly (incl.47)	1	35	Pin	1
10	Trigger	1	36	O-Ring	1
● 11	Bushing	1	37	O-Ring	1
12	Valve Stem	1	38	Spring Pin	1
13	Reverse Valve	1	39	Spring Pin	1
14	Screw	1	40	Retainer	1
15	Spring	1	41	Throttle Valve Seat	1
16	Air Inlet	1	42	O-Ring	1
17	Hammer	1	★ 43	Throttle Valve Assembly (incl.43-1.43-2)	1
18	Hammer Pin	2	● 43-1	Throttle Valve Pin	1
19	Hammer Frame	1	● 43-2	Throttle Valve	1
● 20	Socket Retainer	1	44	Spring	1
● 21	O-Ring	1	45	O-Ring	1
22	Ball Bearing	2	46	O-Ring	1
23	Front End Plate	1	● 47	Label	1
24	Rotor	1	48	Muffler Element	1
25	Rotor Blade	6	50	Grease Fitting	1
26	Cylinder	1	TK	Tune-Up Kit { incl.3.20.21.25 (6).28.30.31.32.33.34.36.37.38.39.40.42.43.45.46.48 }	

★ Must be Purchased in Assembly Set

● Recommended not to be purchased alone due to assembly difficulty

20180620R1