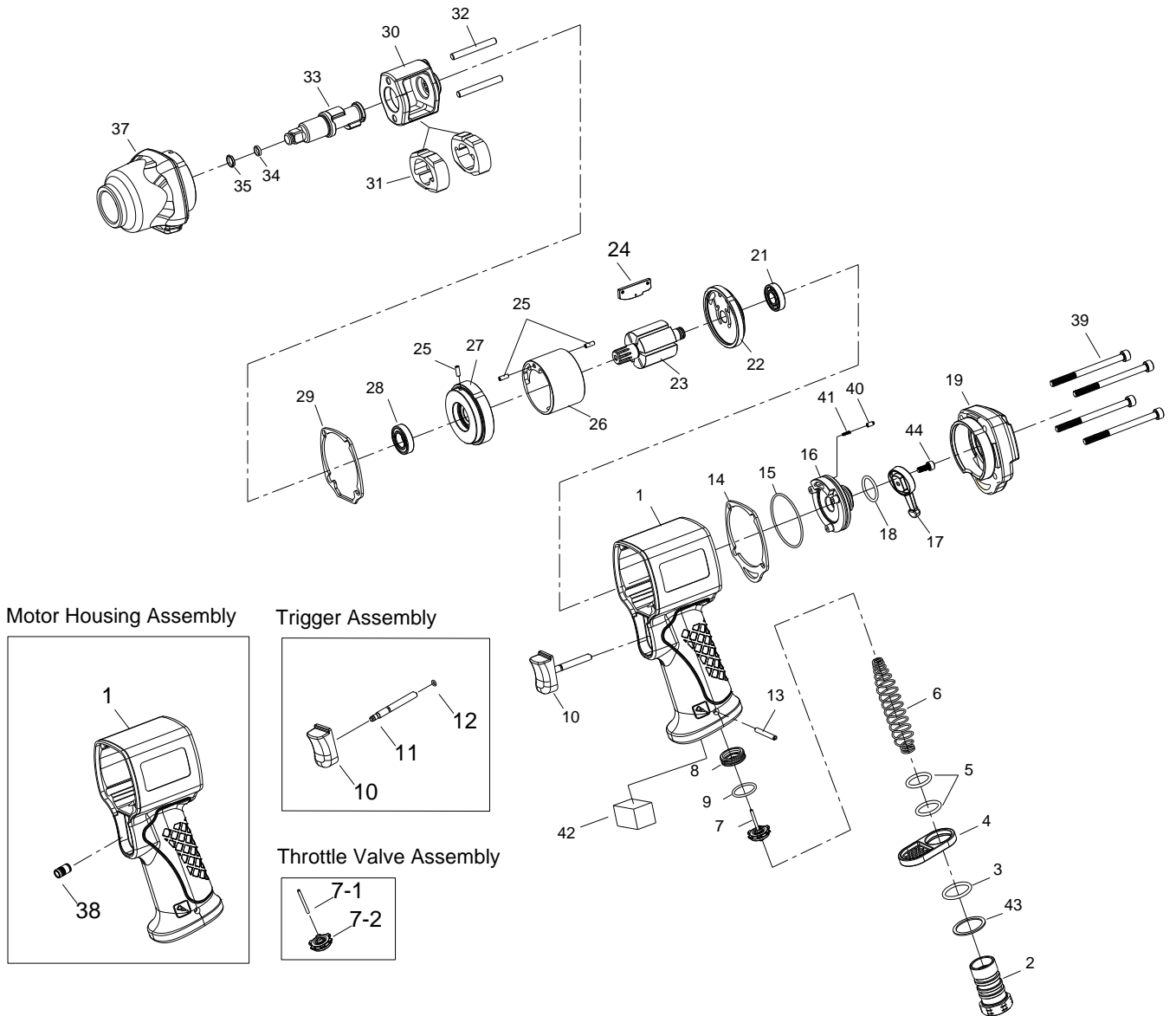


3/8" SQ. DR. SUPER DUTY AIR IMPACT WRENCH



1388

INDEX NO.	DESCRIPTION	REQ'D NO.	INDEX NO.	DESCRIPTION	REQ'D NO.
★ 1	Motor Housing Assembly (incl. 38)	1	23	Rotor	1
2	Air Inlet	1	24	Rotor Blade	6
3	O-Ring	1	25	Spring Pin	3
4	Exhaust Deflector	1	26	Cylinder	1
5	O-Ring	2	27	Front End Plate	1
6	Spring	1	28	Ball Bearing	1
★ 7	Throttle Valve Assembly (incl. 7-1,7-2)	1	29	Gasket	1
● 7-1	Throttle Valve Pin	1	30	Hammer Frame	1
● 7-2	Throttle Valve	1	31	Hammer	2
8	Throttle Valve Seat	1	32	Hammer Pin	2
9	O-Ring	1	33	Standard Anvil	1
★ 10	Trigger Assembly (incl.11,12)	1	34	O-Ring	1
● 11	Trigger Pin	1	35	Socket Retainer	1
● 12	O-Ring	1	37	Hammer Case Assembly	1
13	Spring Pin	1	● 38	Bushing	1
14	Gasket	1	39	Screw	4
15	O-Ring	1	40	Pin	1
16	Reverse Valve	1	41	Spring	1
17	Reverse Knob	1	42	Muffler Element	1
18	O-Ring	1	43	Spacer	1
19	Backhead	1	44	Screw	1
21	Ball Bearing	1	TK	Tune-Up Kit { incl.3.5 (2).6.9.14.15.18.24 (6) .29.34.35.41.42 }	1
22	Rear End Plate	1			

★ Must be Purchased in Assembly Set

● Recommended not to be purchased alone due to assembly difficulty

20161230R1