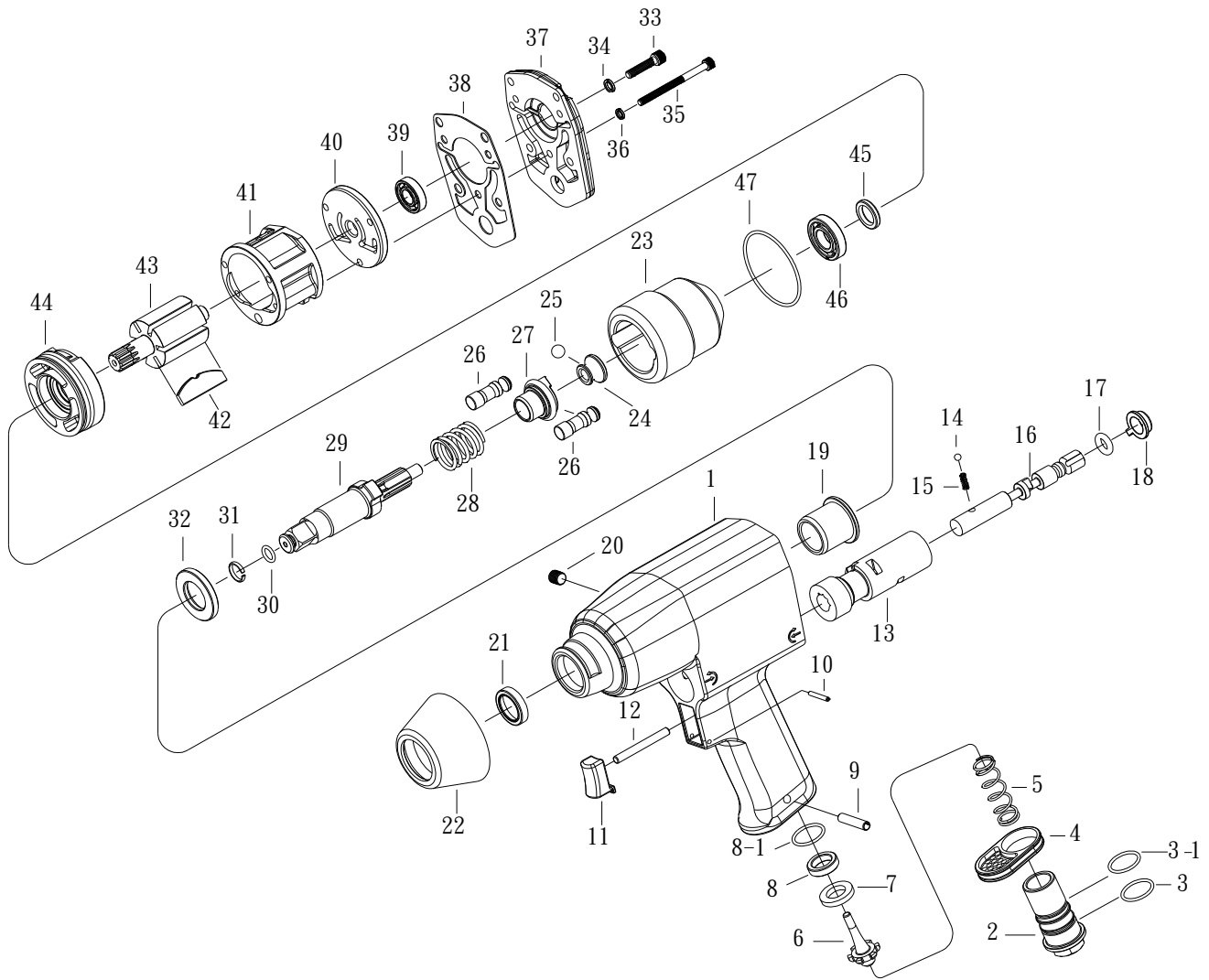


1/2" SQ. DR. IMPACT WRENCH



1431

| INDEX NO. | DESCRIPTION | REQ'D NO. | INDEX NO. | DESCRIPTION | REQ'D NO. |
|-----------|-----------------------------------|-----------|-----------|--|-----------|
| ★ 1 | Motor Housing Assembly(incl.13) | 1 | 24 | Cam Ball Pilot | 1 |
| 2 | Air Inlet | 1 | 25 | Steel Ball | 1 |
| 3 | O-Ring | 1 | 26 | Hammer Pin | 2 |
| 3-1 | O-Ring | 1 | 27 | Hammer Cam | 1 |
| 4 | Exhaust Deflector | 1 | 28 | Spring | 1 |
| 5 | Throttle Valve Spring | 1 | ★ 29 | Standard Anvil Assembly(incl.30.31) | 1 |
| 6 | Throttle Valve Assembly | 1 | ● 30 | O-Ring | 1 |
| 7 | Throttle Valve Seat | 1 | ● 31 | Retainer | 1 |
| 8 | Washer | 1 | 32 | Washer | 1 |
| 8-1 | O-Ring | 1 | 33 | Screw | 4 |
| 9 | Spring Pin | 1 | 34 | Spring washer | 4 |
| 10 | Spring Pin | 1 | 35 | Screw | 3 |
| 11 | Trigger | 1 | 36 | Spring washer | 3 |
| 12 | Trigger Pin | 1 | 37 | Backhead | 1 |
| ● 13 | Reverse Valve Bushing | 1 | 38 | Gasket | 1 |
| 14 | Steel Ball | 1 | 39 | Ball Bearing | 1 |
| 15 | Ball Spring | 1 | 40 | Rear End Plate | 1 |
| 16 | Reverse Valve | 1 | 41 | Cylinder | 1 |
| 17 | O-Ring | 1 | 42 | Rotor Blade | 6 |
| 18 | Air Regulator | 1 | 43 | Rotor | 1 |
| 19 | Bushing | 1 | 44 | Front End Plate | 1 |
| 20 | Grease Fitting | 1 | 45 | Oil Seal | 1 |
| 21 | Oil Seal | 1 | 46 | Ball Bearing | 1 |
| 22 | Housing Nose Shield | 1 | 47 | O-Ring | 1 |
| 23 | Hammer Frame | 1 | TK | Tune-Up Kit {3.3-1.5.8-1.14.15.17.25.28.30.31.38.39.42 (6),46. } | |

★ Must be Purchased in Assembly Set

● Recommended not to be purchased alone due to assembly difficulty

PA5-01431-2

20100517R1