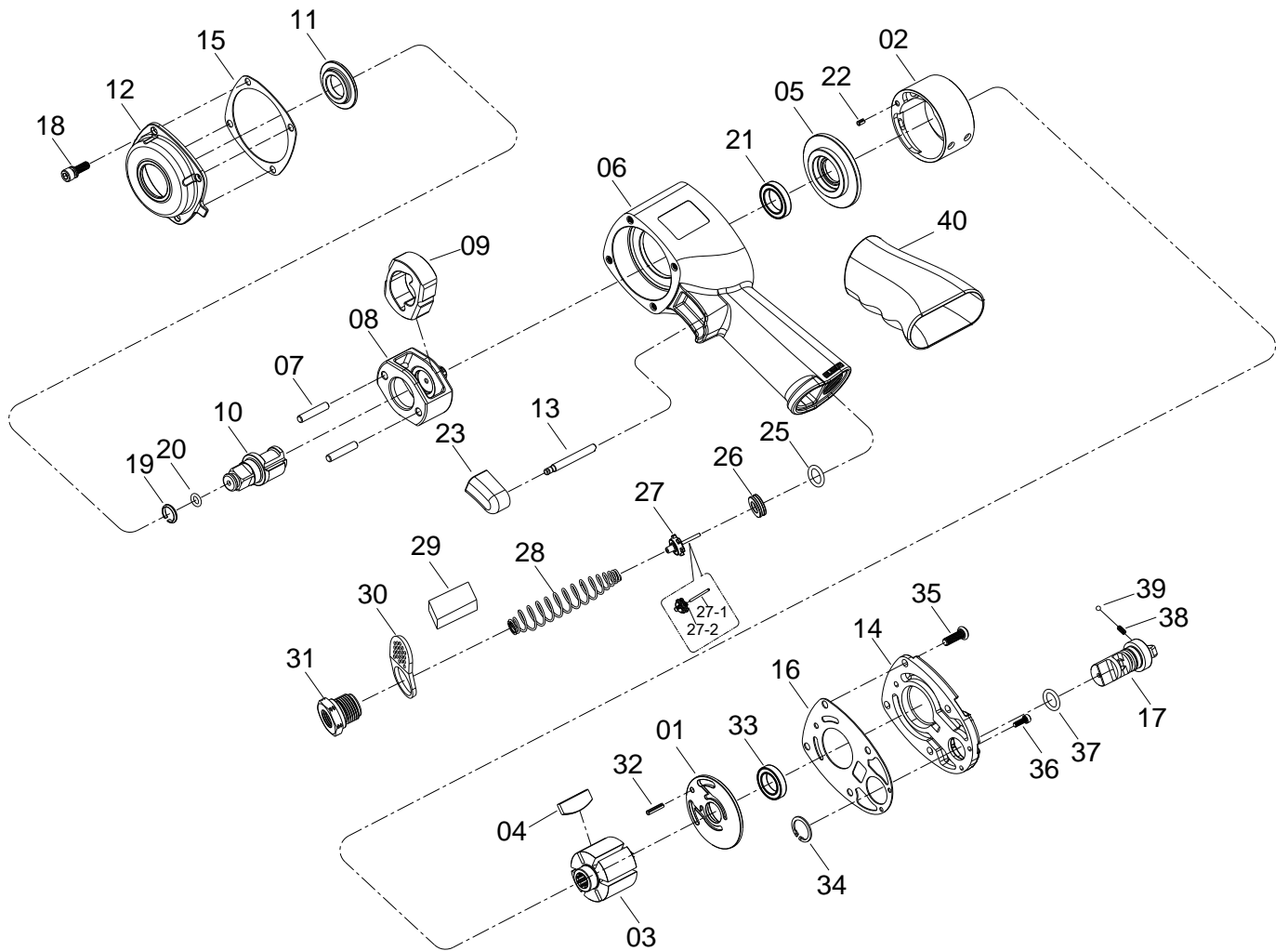


# 1/2" SQ. DR. SUPER DUTY IMPACT WRENCH



1479

INDEX NO.	DESCRIPTION	REQ'D NO.	INDEX NO.	DESCRIPTION	REQ'D NO.
1	Rear End Plate	1	22	Spring Pin	1
2	Cylinder	1	23	Trigger	1
3	Rotor	1	25	O-Ring	1
4	Rotor Blade	6	26	Throttle Valve Seat	1
5	Front End Plate	1	★ 27	Throttle Valve Assembly	1
6	Motor Housing Assembly	1	● 27-1	Throttle Valve Pin	1
7	Hammer Pin	2	● 27-2	Throttle Valve	1
8	Hammer Frame	1	28	Spring	1
9	Hammer	1	29	Muffler Element	1
10	Standard Anvil	1	30	Exhaust Deflector	1
11	Bushing	1	31	Air Inlet	1
12	Hammer Case	1	32	Spring Pin	1
13	Trigger Pin	1	33	Ball Bearing	1
14	Backhead	1	34	Socket Retainer	1
15	Hammer Case Gasket	1	35	Screw	4
16	Backhead Gasket	1	36	Screw	2
17	Reverse Valve	1	37	O-Ring	1
18	Screw	4	38	Steel Ball Spring	1
19	Socket Retainer	1	39	Steel Ball	1
20	O-Ring	1	40	Rubber Grip	1
21	Ball Bearing	1	TK	Tune-Up Kit { incl.4 ( 6 ).15.16.19.20.25.28.29.34.37.38.39 }	1

★ Must be Purchased in Assembly Set

● Recommended not to be purchased alone due to assembly difficulty

20141211R1