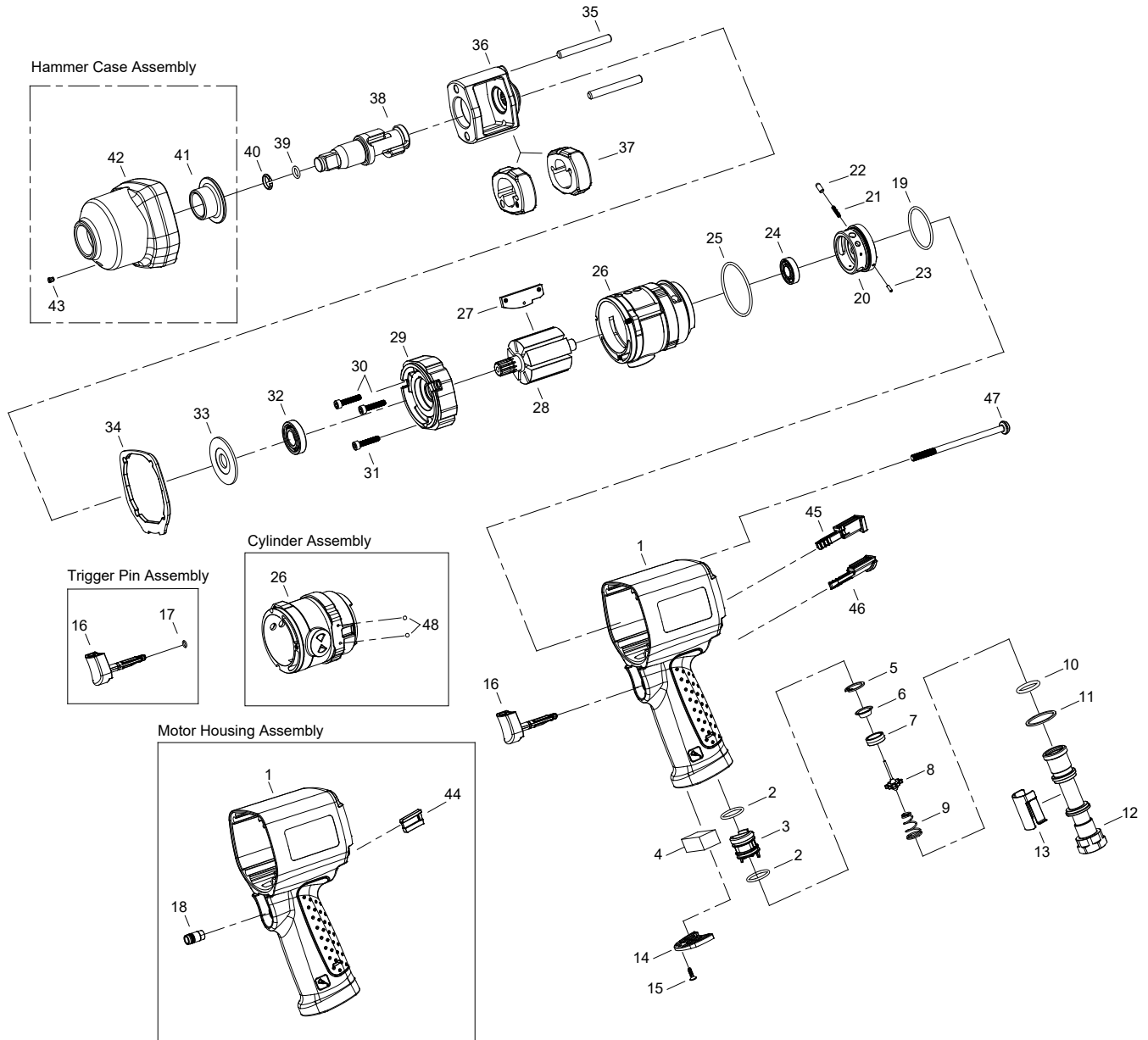


# 1/2" SQ. DR.HEAVY DUTY AIR IMPACT WRENCH



1493-VG

INDEX NO.	DESCRIPTION	REQ'D NO.	INDEX NO.	DESCRIPTION	REQ'D NO.
★ 1	Motor Housing Assembly ( incl.18.44 )	1	★ 26	Cylinder Assembly { incl.48 ( 2 ) }	1
2	O-Ring	2	27	Rotor Blade	7
3	Reverse Valve	1	28	Rotor	1
4	Muffler Element	1	29	Front End Plate	1
5	Retainer	1	30	Screw	2
6	Washer	1	31	Screw	1
7	Throttle Valve Seat	1	32	Ball Bearing	1
8	Throttle Valve Assembly	1	33	Washer	1
9	Spring	1	34	Gasket	1
10	O-Ring	1	35	Hammer Pin	2
11	Washer	1	36	Hammer Frame	1
12	Air Inlet	1	37	Hammer	2
13	Retainer	1	38	Standard Anvil	1
14	Exhaust Deflector	1	39	O-Ring	1
15	Screw	1	40	Socket Retainer	1
★ 16	Trigger Assembly ( incl.17 )	1	● 41	Bushing	1
● 17	O-Ring	1	★ 42	Hammer Case Assembly ( incl.41.43 )	1
● 18	Bushing	1	● 43	Grease Fitting	1
19	O-Ring	1	● 44	Spacer	1
20	Reverse Valve Knob	1	45	Reverse Knob	1
21	Spring	1	46	Reverse Knob	1
22	Pin	1	47	Screw	4
23	Spring Pin	1	● 48	Steel Ball	2
24	Ball Bearing	1			
25	O-Ring	1	TK	Tune-Up Kit { incl.2 ( 2 ).4.5.9.10.19.21.25.27 ( 7 ).34.39.40 }	

★ Must be Purchased in Assembly Set

● Recommended not to be purchased alone due to assembly difficulty

20200305R3