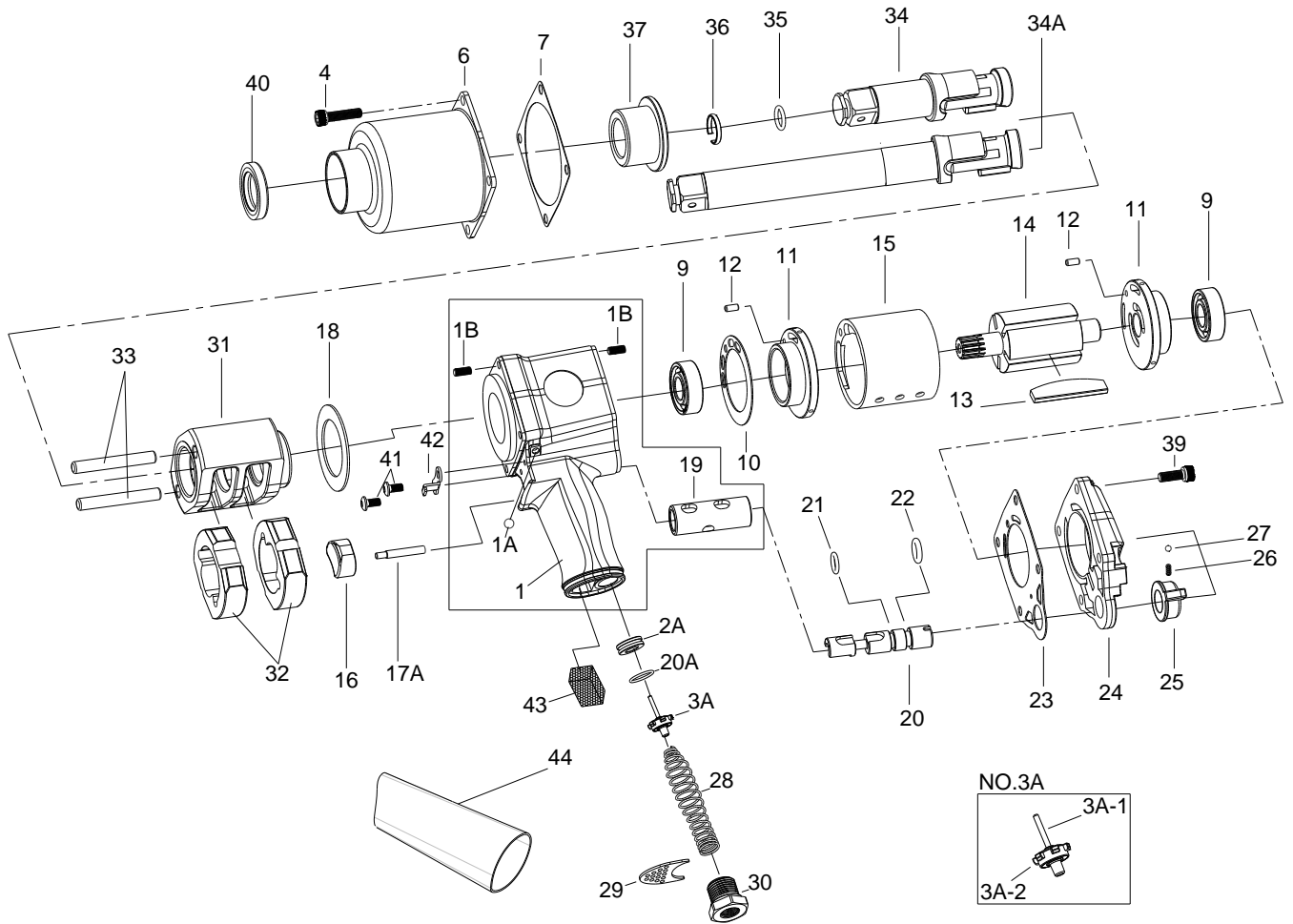


# 3/4" SQ. DR.SUPER DUTY IMPACT WRENCH



1624\_1624-6

INDEX NO.	DESCRIPTION	REQ'D NO.	INDEX NO.	DESCRIPTION	REQ'D NO.
★ 1	Housing Assembly { incl.1A ( 2 ).1B ( 8 ).19 }	1	22	O-Ring	1
● 1A	Steel Ball	2	23	Gasket	1
● 1B	Heli-coil	8	24	Backhead	1
★ 2A	Throttle Valve Seat Assembly ( incl.20A )	1	25	Reverse Valve Knob	1
★ 3A	Throttle Valve Assembly ( incl.3A-1.3A-2 )	1	26	Spring	1
● 3A-1	Throttle Valve Pin	1	27	Steel Ball	1
● 3A-2	Throttle Valve	1	28	Spring	1
4	Screw	4	29	Exhaust Deflector	1
6	Hammer Case	1	30	Air Inlet	1
7	Gasket	1	31	Hammer Frame	1
9	Ball Bearing	2	32	Hammer	2
10	Gasket	1	33	Hammer Pin	2
11	End Plate	2	34	Standard Anvil	1
12	Spring Pin	2	34A	6" Extended Anvil	1
13	Rotor Blade	6	35	O-Ring	1
14	Rotor	1	36	Socket Retainer	1
15	Cylinder	1	37	Bushing	1
★ 16	Trigger Assembly ( incl.17A )	1	39	Screw	4
● 17A	Trigger Pin	1	40	Oil Seal	1
18	Washer	1	41	Screw	2
● 19	Reverse Valve Bushing	1	42	Trigger Retainer	1
20	Reverse Valve	1	43	Muffler Element	1
● 20A	O-Ring	1	44	Rubber Grip ( Option )	1
21	O-Ring	1	TK	Tune-Up Kit { incl.7.10.13 ( 6 ).21.22.23.26.27.28.35.36.43 }	

★ Must be Purchased in Assembly Set

● Recommended not to be purchased alone due to assembly difficulty

20150115R3