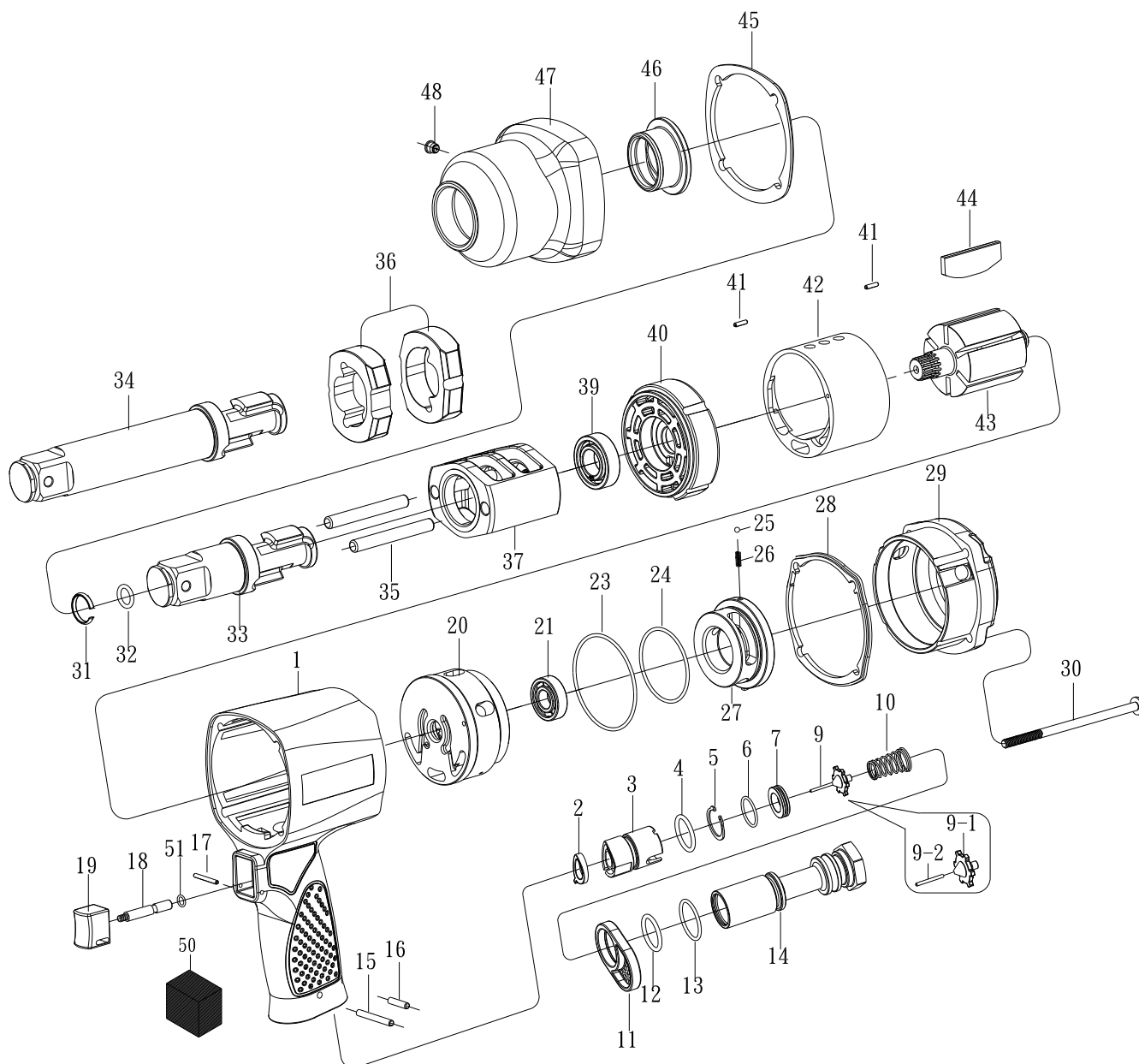


1" SQ. DR. SUPER DUTY IMPACT WRENCH



1836/1836-6

INDEX NO.	DESCRIPTION	REQ'D NO.	INDEX NO.	DESCRIPTION	REQ'D NO.
1	Motor Housing	1	26	Spring	1
2	O-Ring	1	27	Reverse Valve	1
3	Guide Tube	1	28	Gasket	1
4	O-Ring	1	29	Backhead	1
5	Retainer	1	30	Screw	4
6	O-Ring	1	31	Socket Retainer	1
7	Throttle Valve Seat	1	32	O-Ring	1
★ 9	Throttle Valve Assembly (incl.9-1.9-2)	1	33	Standard Anvil (for KI-1836)	1
● 9-1	Throttle Valve	1	34	6" Extended Anvil (for KI-1836-6)	1
● 9-2	Throttle Valve Pin	1	35	Hammer Pin	2
10	Spring	1	36	Hammer	2
11	Exhaust Deflector	1	37	Hammer Frame	1
12	O-Ring	1	39	Ball Bearing	1
13	O-Ring	1	40	Front End Plate	1
14	Air Inlet	1	41	Spring Pin	2
15	Spring Pin	1	42	Cylinder	1
16	Spring Pin	1	43	Rotor	1
17	Spring Pin	1	44	Rotor Blade	6
● 18	Trigger Pin	1	45	Gasket	1
★ 19	Trigger Assembly (incl.18.51)	1	● 46	Bushing	1
20	Rear End Plate	1	★ 47	Hammer Case Assembly (incl.46.48)	1
21	Ball Bearing	1	● 48	Grease Fitting	1
23	O-Ring	1	50	Muffler Element	1
24	O-Ring	1	● 51	O-Ring	1
25	Steel Ball	1	TK	Tune-Up Kit { 4.6.10.12.13.21.23.24.25.26.28.31.32.39.44 (6).45.50.51 }	

★ Must be Purchased in Assembly Set

● Recommended not to be purchased alone due to assembly difficulty

20130806R1