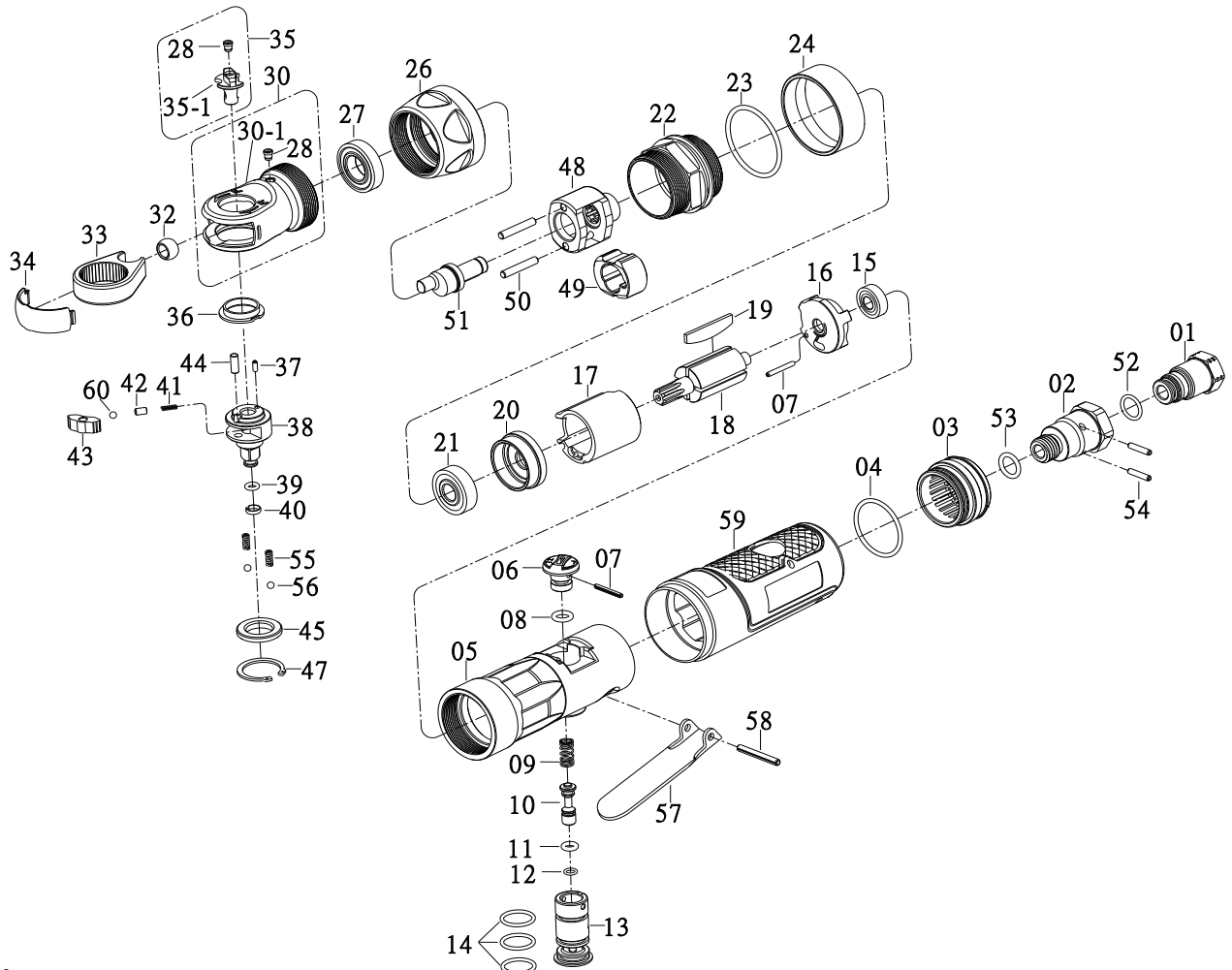


1/4" SQ.DR. SUPER DUTY RATCHET WRENCH



2224

INDEX NO.	DESCRIPTION	REQ'D NO.	INDEX NO.	DESCRIPTION	REQ'D NO.
1	Air Inlet	1	33	Ratchet Yoke	1
2	Air Inlet Connector	1	34	Ratchet Housing Cover	1
3	Exhaust Deflector	1	★ 35	Everse Knob Assembly { incl.28 (1).35-1 }	1
4	O-Ring	1	● 35-1	Everse Knob	1
5	Motor Housing	1	36	Anvil Upper Washer	1
6	Air Regulator	1	37	Spring Pin	1
7	Spring Pin	2	38	Ratchet Anvil	1
8	O-Ring	1	39	O-Ring	1
9	Throttle Valve Spring	1	40	Retainer	1
10	Valve Stem	1	41	Spring	1
11	O-Ring	1	42	Pin	1
12	O-Ring	1	43	Pawl	1
13	Regulating Valve	1	44	Pawl Retaining Pin	1
14	O-Ring	3	45	Thrust Washer	1
15	Ball Bearing	1	47	Retainer	1
16	Rear End Plate	1	48	Hammer Frame	1
17	Cylinder	1	49	Hammer	1
18	Rotor	1	50	Hammer Pin	2
19	Rotor Blade	4	51	Standard Anvil	1
20	Front End Plate	1	52	O-Ring	1
21	Ball Bearing	1	53	O-Ring	1
22	Hammer Case	1	54	Spring Pin	2
23	O-Ring	1	55	Spring	2
24	Rubber Ring	1	56	Steel Ball	2
26	Coupling Nut	1	57	Trigger	1
27	Ball Bearing	1	58	Spring Pin	1
● 28	Grease Fitting	2	59	Rubber Grip	1
★ 30	Ratchet Housing Assembly { incl.28 (1).30-1 }	1	60	Steel Ball	1
● 30-1	Ratchet Housing	1	TK	Tune-Up Kit { incl.4.8.11.12.14 (3).19 (4).23.41.52.53 }	
32	Drive Bushing	1			

★ Must be Purchased in Assembly Set

● Recommended not to be purchased alone due to assembly difficulty

20160325R2