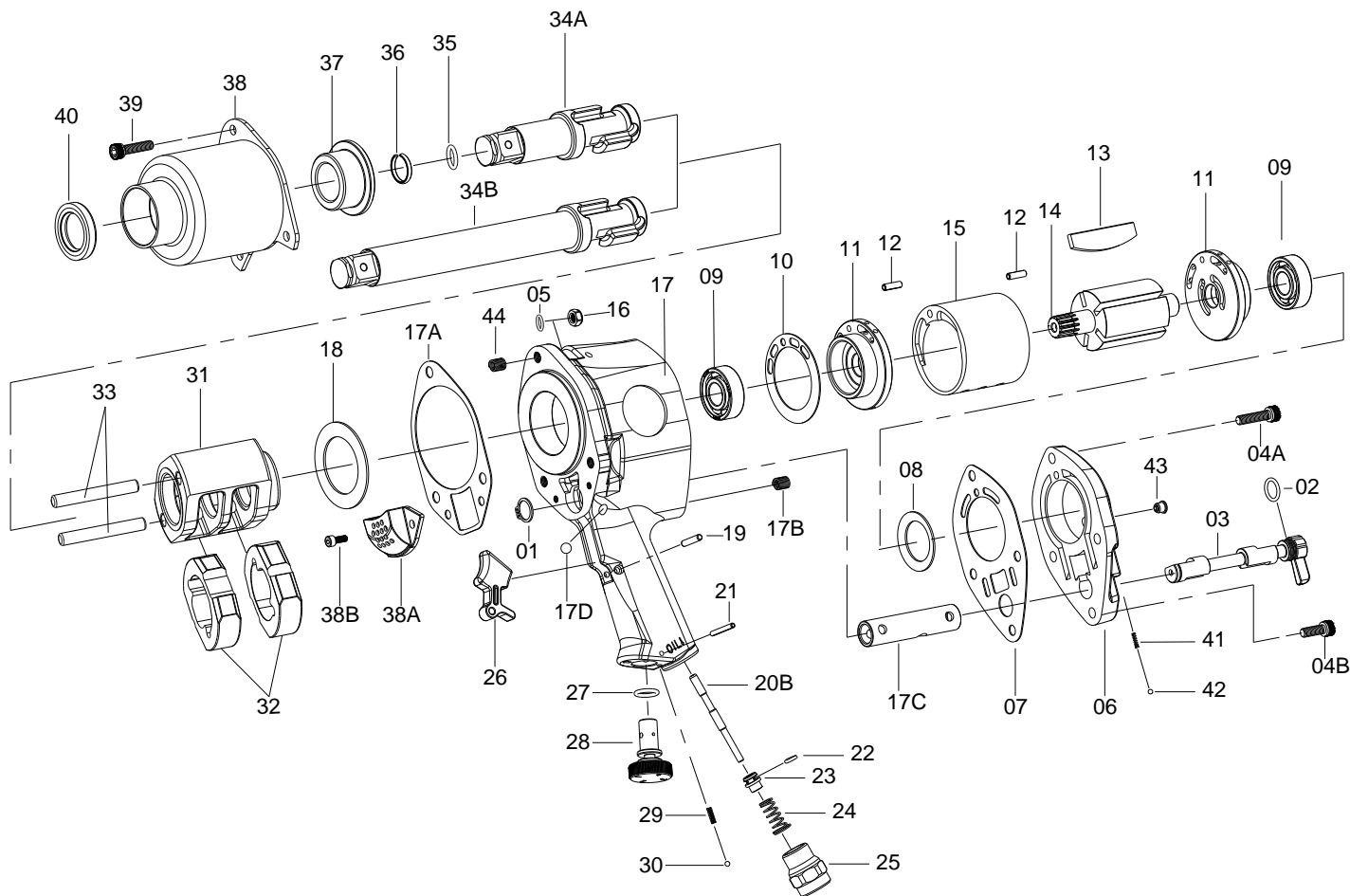


3/4" SQ. DR. SUPER DUTY IMPACT WRENCH



22/22-6

INDEX NO.	DESCRIPTION	REQ'D NO.	INDEX NO.	DESCRIPTION	REQ'D NO.
1	Retainer	1	23	Throttle Valve	1
2	O-Ring	1	24	Spring	1
3	Reverse Valve	1	25	Air Inlet	1
4A	Screw	3	26	Trigger	1
4B	Screw	1	27	O-Ring	1
5	Spring Washer	3	28	Air Regulator	1
★ 6	Backhead Assembly (incl.43)	1	29	Spring	1
7	Gasket	1	30	Steel Ball	1
8	Motor Clamp Washer	1	31	Hammer Frame	1
9	Ball Bearing	2	32	Hammer	2
10	Gasket	1	33	Hammer Pin	2
11	End Plate	2	34A	Standard Anvil (for KI-22)	1
12	Spring Pin	2	34B	6" Extended Anvil (for KI-22-6)	1
13	Rotor Blade	5	35	O-Ring	1
14	Rotor	1	36	Socket Retainer	1
15	Cylinder	1	37	Bushing	1
16	Lock Nut	3	38	Hammer Case	1
★ 17	Housing Assembly { incl.17B (4).17C.17D (2).44 (3) }	1	38A	Exhaust Deflector	1
17A	Gasket	1	38B	Screw	2
● 17B	Heli-Coil	4	39	Screw	3
● 17C	Reverse Valve Bushing	1	40	Oil Seal	1
● 17D	Steel Ball	2	41	Spring	1
18	Washer	1	42	Steel Ball	1
19	Trigger Pin	1	● 43	Grease Fitting	1
20B	Throttle Valve Plunger	1	● 44	Heli-Coil	3
21	Spring Pin	1	TK	Tune-up Kit { incl.2.7.9 (2).10.13 (5).17A.22.24.27.29.30.35.36.41.42 }	
22	O-Ring	1			

★ Must be Purchased in Assembly Set

● Recommended not to be purchased alone due to assembly difficulty