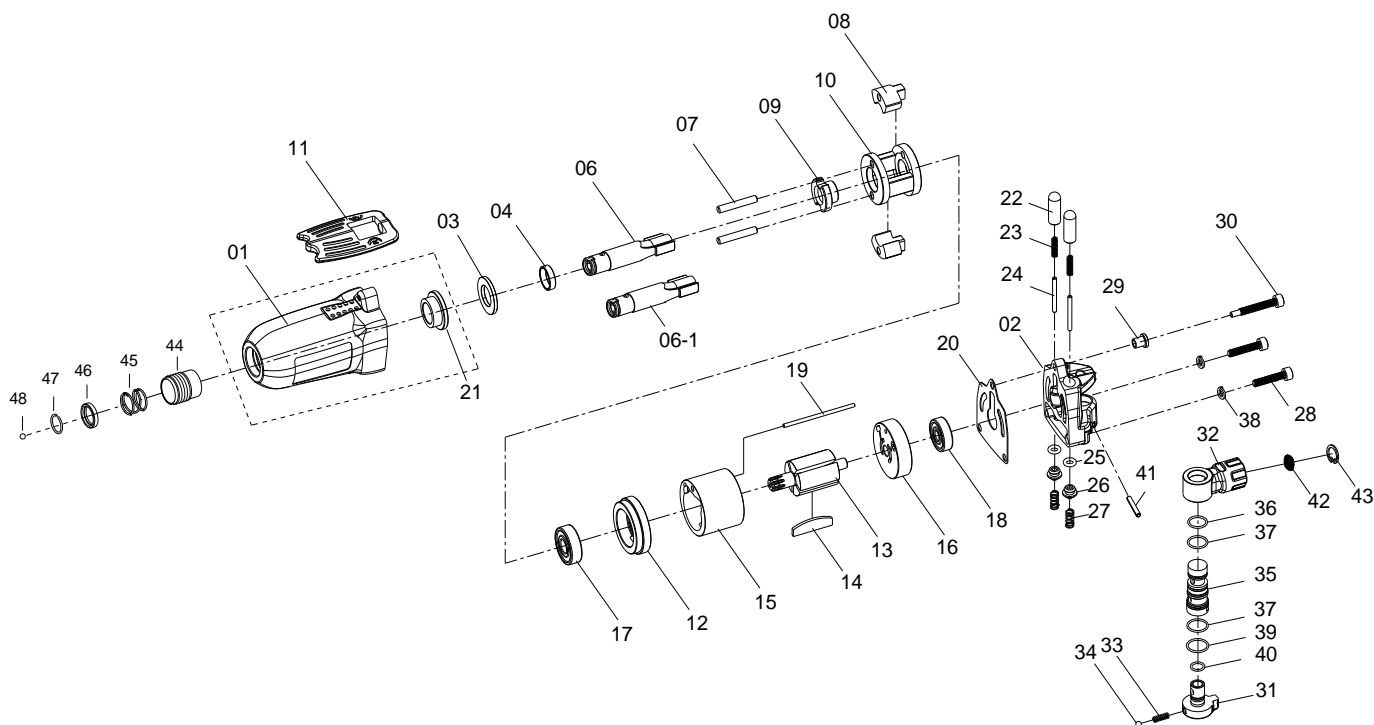


1/4" HEX. SUPER DUTY MINI BUTTERFLY AIR SCREWDRIVER



3221-QC/3221-QL

| INDEX NO. | DESCRIPTION | REQ'D NO. | INDEX NO. | DESCRIPTION | REQ'D NO. |
|-----------|------------------------------|-----------|-----------|--|-----------|
| ★ 01 | Housing Assembly (incl.21) | 1 | 26 | Throttle Valve | 2 |
| 02 | Backhead | 1 | 27 | Throttle Valve Spring | 2 |
| 03 | Washer | 1 | 28 | Screw | 2 |
| 04 | Bushing | 1 | 29 | Bushing | 1 |
| 06 | Anvil (For 3221-QC) | 1 | 30 | Screw | 1 |
| 06-1 | Anvil (For 3221-QL) | 1 | 31 | Reverse Valve Knob | 1 |
| 07 | Hammer Pin | 2 | 32 | Air Inlet | 1 |
| 08 | Hammer | 2 | 33 | Steel Ball Spring | 1 |
| 09 | Hammer Cam | 1 | 34 | Steel Ball | 1 |
| 10 | Hammer Frame | 1 | 35 | Valve Bushing | 1 |
| 11 | Throttle Lever | 1 | 36 | O-Ring | 1 |
| 12 | Front End Plate | 1 | 37 | O-Ring | 2 |
| 13 | Rotor | 1 | 38 | Spring Washer | 2 |
| 14 | Rotor Blade | 5 | 39 | O-Ring | 1 |
| 15 | Cylinder | 1 | 40 | O-Ring | 1 |
| 16 | Rear End Plate | 1 | 41 | Pin | 1 |
| 17 | Ball Bearing | 1 | 42 | Filter Screen | 1 |
| 18 | Ball Bearing | 1 | 43 | Retainer | 1 |
| 19 | Pin | 1 | 44 | Release Sleeve | 1 |
| 20 | Backhead Gasket | 1 | 45 | Spring | 1 |
| ● 21 | Bushing | 1 | 46 | Washer | 1 |
| 22 | Valve Stem | 2 | 47 | Retainer | 1 |
| 23 | Spring | 2 | 48 | Steel Ball | 1 |
| 24 | Pin | 2 | TK | Tune-Up Kit { incl.14 (5).20.23 (2).25 (2).33.34.36.37 (2).39.40.45.48 } | |
| 25 | O-Ring | 2 | | | |

★ Must be Purchased in Assembly Set

● Recommended not to be purchased alone due to assembly difficulty

20141211R1