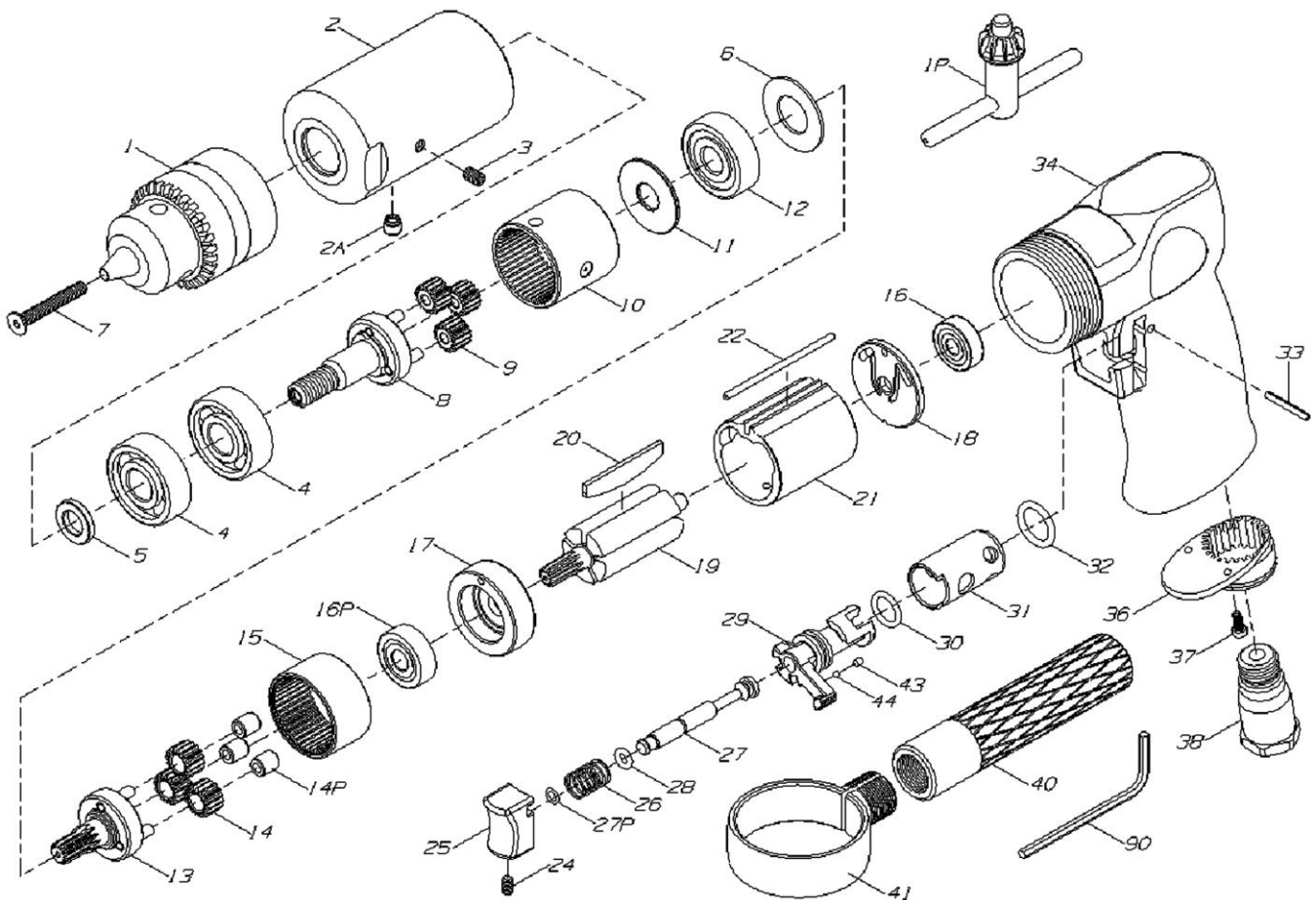


1/2" HEAVY DUTY REVERSIBLE AIR DRILL



865

INDEX NO.	DESCRIPTION	REQ'D NO.	INDEX NO.	DESCRIPTION	REQ'D NO.
01	1/2" Drill Chuck	1	20	Rotor Blade	5
	Keyless Chuck		21	Cylinder	1
01P	Chuck Key	1	22	Motor Pin	1
02	Clamp Nut	1	24	Set Screw	1
02A	Ball Cap	1	25	Trigger	1
03	Set Screw	1	26	Spring	1
04	Ball Bearing	2	27	Throttle Valve	1
05	Washer	1	27P	O-Ring	1
06	Spacer	1	28	O-Ring	1
07	Screw	1	29	Reverse Valve	1
08	Planet Carrier	1	30	O-Ring	1
09	Planet Gear	3	31	Reverse Bushing	1
10	Internal Gear	1	32	O-Ring	1
11	Spacer	1	33	Pin	1
12	Ball Bearing	1	34	Housing	1
13	Planet Carrier	1	34P	Housing Sleeve	1
14	Planet Gear (Inc.#14P)	3	36	Exhaust Deflector	1
14P	Planet Gear Bushing	3	37	Screw	2
15	Internal Gear	1	38	Air Inlet	1
16	Ball Bearing	1	40	Handle	1
16P	Ball Bearing	1	41	Clamp Ring	1
17	Bearing Case	1	43	Detent Rubber	1
18	Rear End Plate	1	44	Steel Ball	1
19	Rotor	1	90	Allen Wrench	1

2006.04.01 2008.01.01
2006.12.06 2010.08.10