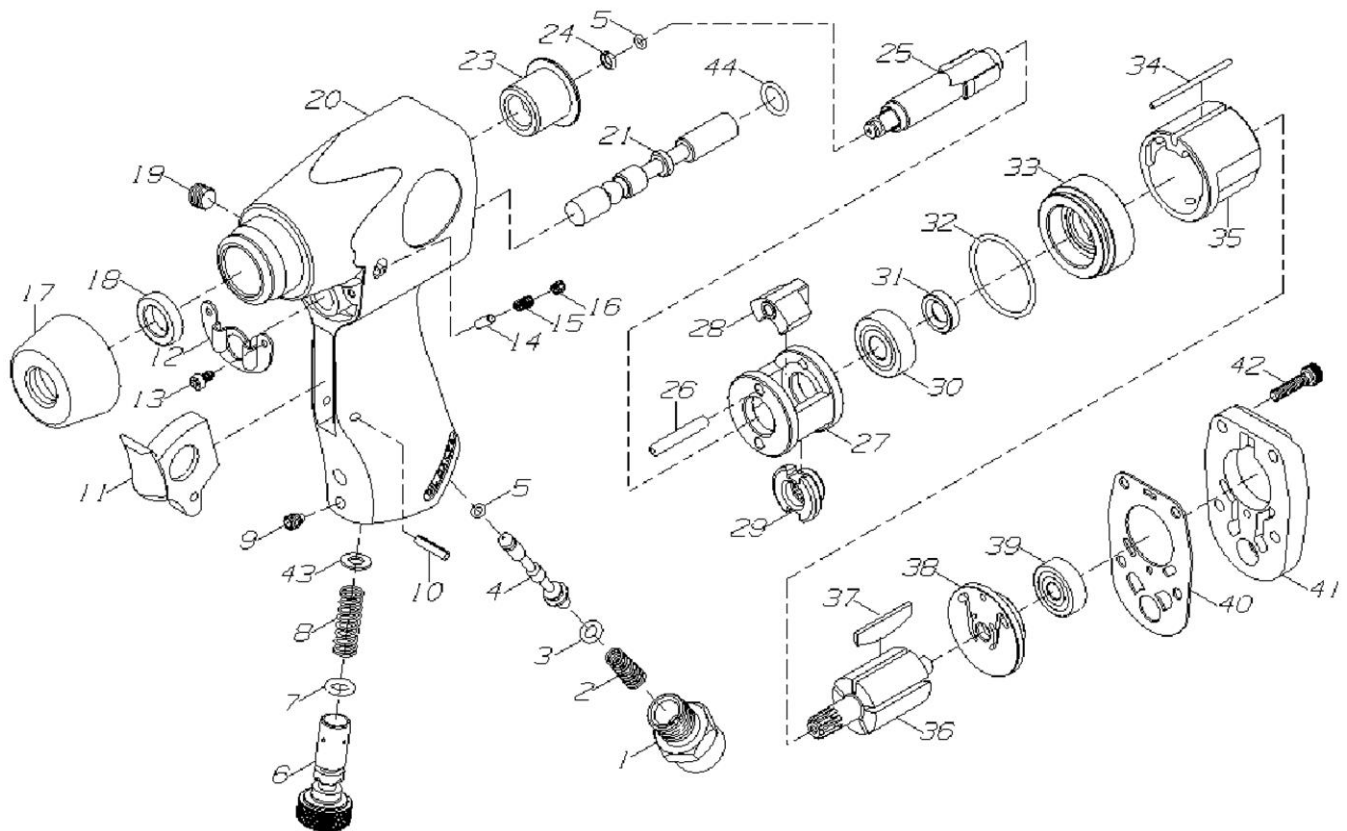


1/4" SQ.DR. GENERAL DUTY AIR IMPACT WRENCH



1205

INDEX NO.	DESCRIPTION	REQ'D NO.	INDEX NO.	DESCRIPTION	REQ'D NO.
01	Inlet Bushing	1	24	Retainer	1
02	Spring	1	25	Anvil	1
03	O-Ring	1	26	Hammer Pin	2
04	Valve	1	27	Hammer Frame	1
05	O-Ring	2	28	Dog	2
06	Regulator	1	29	Hammer Cam	1
07	O-Ring	1	30	Ball Bearing	1
08	Spring	1	31	Oil Seal	1
09	Screw	1	32	O-Ring	1
10	Pin	1	33	Front Plate	1
11	Trigger	1	34	Motor Pin	1
12	Deflector	1	35	Cylinder	1
13	Screw	2	36	Rotor	1
14	Rev.Valve Pin	1	37	Rotor Blade	5
15	Spring	1	38	Rear Plate	1
16	Screw	1	39	Ball Bearing	1
17	Shield	1	40	Gasket	1
18	House Seal	1	41	Motor Cover	1
19	Screw	1	42	Screw	4
20	Motor Housing	1	43	Washer	1
21	Rev. Valve	1	44	O-Ring	1
23	Bushing	1			

2010.08.10
2010.08.20