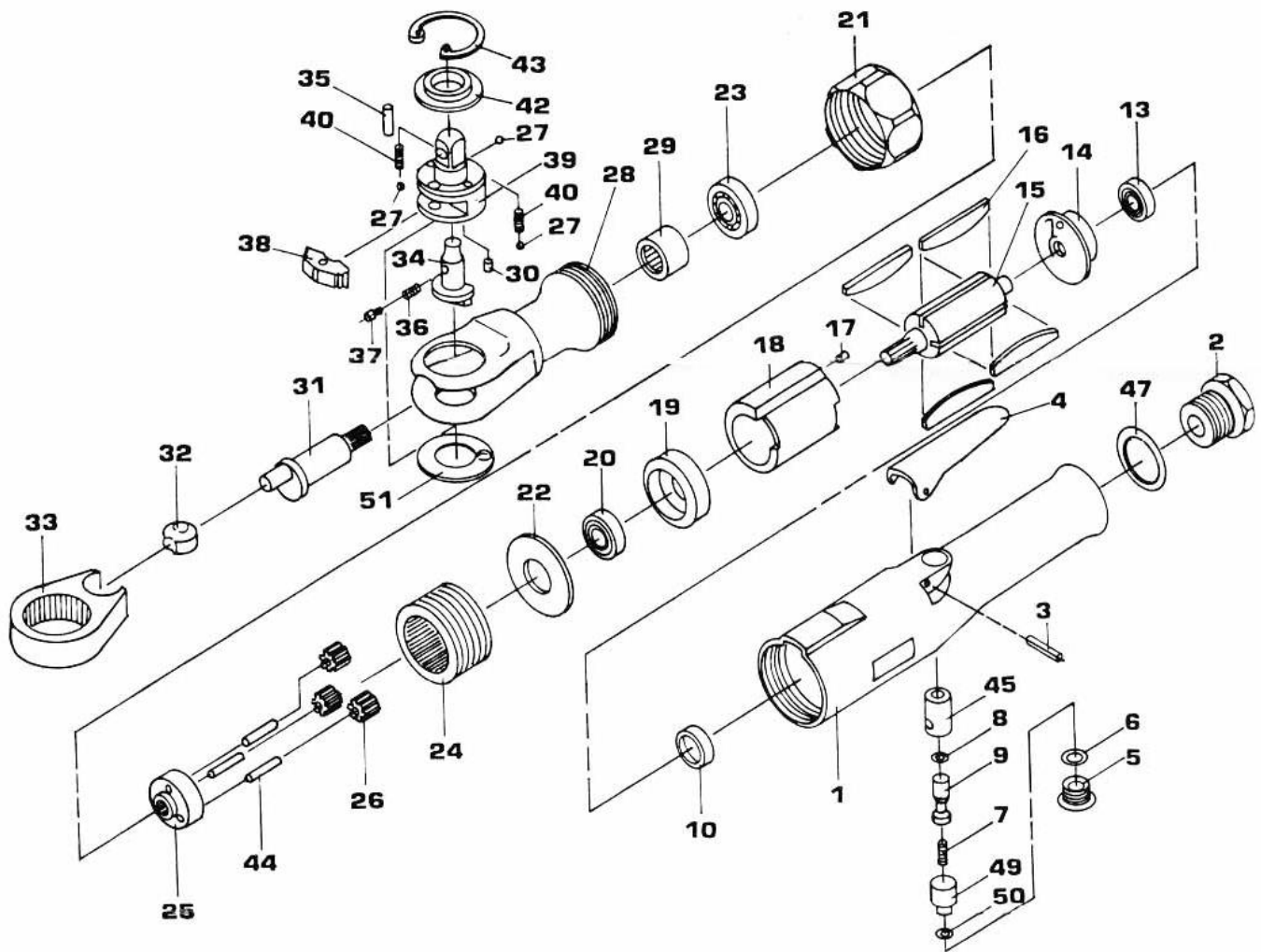


1/2" SQ.DR. HEAVY DUTY RATCHET WRENCH



2603

INDEX NO.	DESCRIPTION	REQ'D NO.	INDEX NO.	DESCRIPTION	REQ'D NO.
01	Motor Housing	1	26	Idler Gear	3
02	Inlet Bushing	1	27	Steel Ball	3
03	Spring Pin	1	28	Ratchet Housing	1
04	Throttle Lever	1	29	Needle Bearing	1
05	Valve Screw	1	30	Spring Pin	1
06	O-Ring	1	31	Crank Shaft	1
07	Valve Spring	1	32	Drive Bushing	1
08	O-Ring	1	33	Yoke	1
09	Valve Stem	1	34	Reverse Button	1
10	Bearing Cap	1	35	Needle Roller	1
13	Ball Bearing	1	36	Reverse Spring	1
14	Rear End Plate	1	37	Lock Pin	1
15	Rotor	1	38	Pawl	1
16	Rotor Blade	4	39	Ratchet Anvil	1
17	Spring Pin	1	40	Spring	2
18	Cylinder	1	42	Thrust Washer	1
19	Front End Plate	1	43	Internal Stop Ring	1
20	Ball Bearing	1	44	Needle Roller	3
21	Clamp Nut	1	45	Bushing	1
22	Washer	1	47	O-Ring	1
23	Ball Bearing	1	49	Air Regulator	1
24	Internal Gear	1	50	O-Ring	1
25	Idler Gear Plate	1	51	Washer	1

