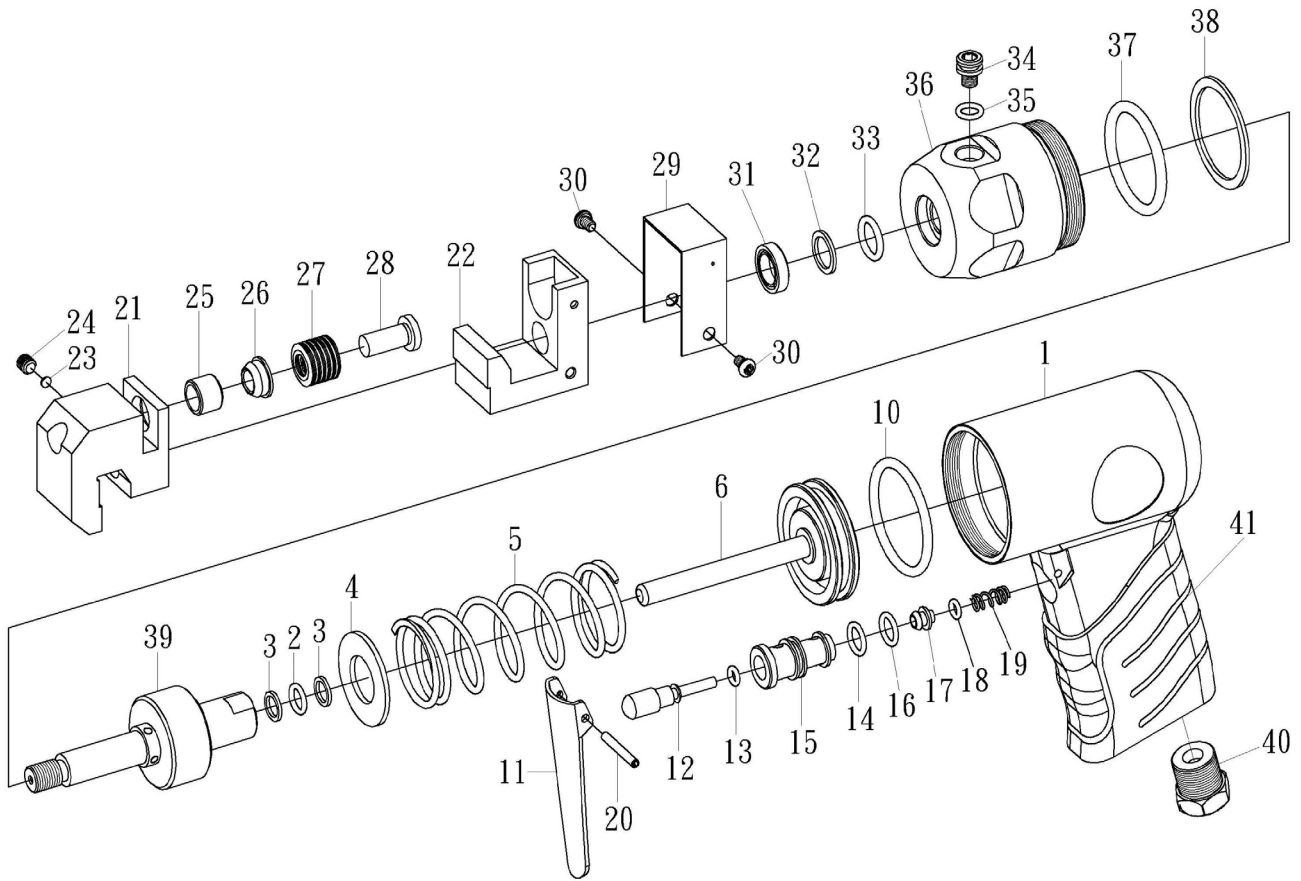


2 IN 1 HEAVY DUTY AIR PUNCH & FLANGE TOOL



4111

INDEX NO.	DESCRIPTION	REQ'D NO.	INDEX NO.	DESCRIPTION	REQ'D NO.
01	Body	1	23	Seal	1
02	O-Ring	1	24	Set Screw	1
03	Back Up Ring	2	25	Punch Die IE	1
04	Spacer	1	26	Guide Bushing	1
05	Spring	1	27	Washer	13
06	Piston	1	28	Punch	1
10	O-Ring	1	29	Guard	1
11	Throttle Lever	1	30	Screw	2
12	Pin Valve	1	31	Oil Seal	1
13	O-Ring	1	32	Back Up Ring	1
14	O-Ring	1	33	O-Ring	1
15	Throttle Bushing	1	34	Oil Plug	1
16	O-Ring	1	35	O-Ring	1
17	Throttle Valve	1	36	Lock Nut	1
18	O-Ring	1	37	O-Ring	1
19	Spring	1	38	Back Up Ring	1
20	Lever Pin	1	39	Piston	1
21	Clamp A	1	40	Inlet Bushing	1
22	Clamp B	1	41	Rubber Grip	1

0000.00.00

2004.09.20 2015.07.02