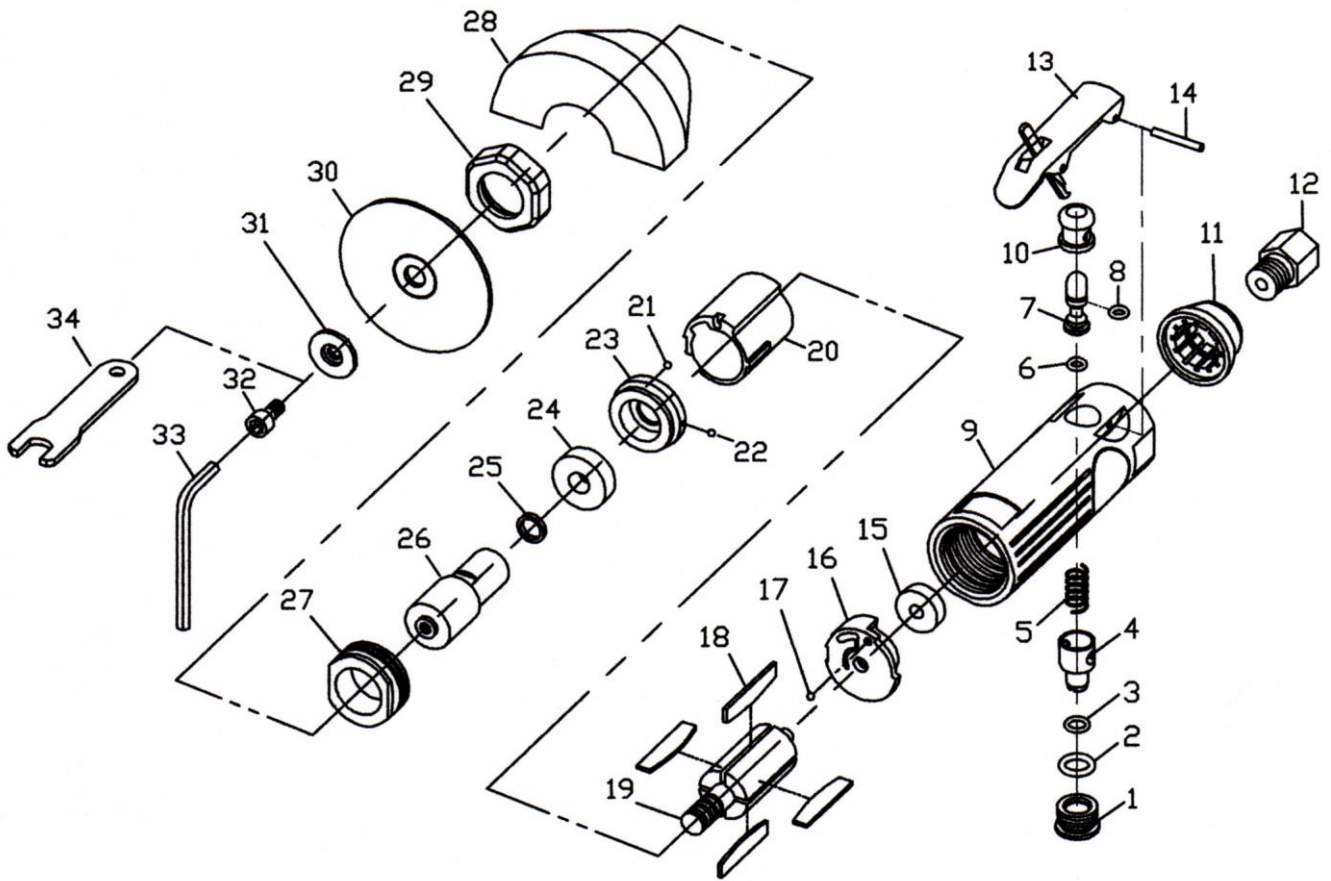


3" GENERAL DUTY AIR CUT OFF TOOL



4402

INDEX NO.	DESCRIPTION	REQ'D NO.	INDEX NO.	DESCRIPTION	REQ'D NO.
01	Plug Screw	1	18	Rotor Blade	4
02	O-Ring	1	19	Rotor	1
03	O-Ring	1	20	Cylinder	1
04	Air Regulator	1	21	Ball	1
05	Valve Spring	1	22	Ball	1
06	O-Ring	1	23	Bearing Plate	1
07	Valve Stem	1	24	Bearing	1
08	O-Ring	1	25	Rotor Collar	1
09	Motor Housing	1	26	Spindle	1
10	Valve Bushing	1	27	Lock Ring	1
11	Muffler	1	28	Plastic Protector	1
12	Air Inlet	1	29	Nut	1
13	Lever	1	30	Cutting Wheel	1
14	Lever Pin	1	31	Spacer	1
15	Bearing	1	32	Hex. Screw	1
16	Bearing Plate	1	33	Allen Wrench	1
17	Ball	1	34	Wrench-14mm	1

2008.07.04

2008.09.23 2012.03.06