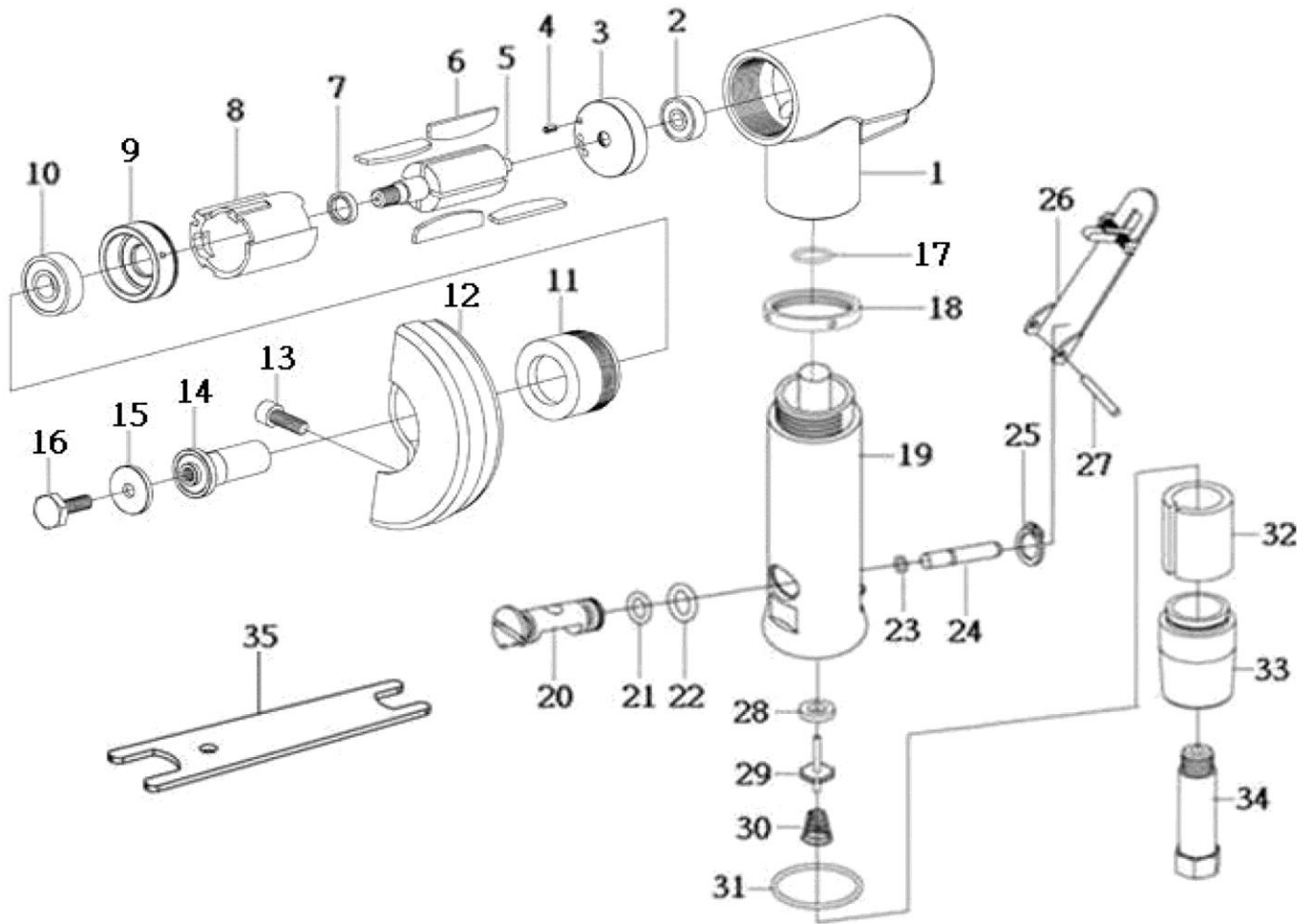


3" HEAVY DUTY AIR CUT OFF TOOL



4410

INDEX NO.	DESCRIPTION	REQ'D NO.	INDEX NO.	DESCRIPTION	REQ'D NO.
01	Housing	1	19	Housing	1
02	Bearing	1	20	Air Controller	1
03	Rear End Plate	1	21	O-Ring	1
04	Pin	1	22	O-Ring	1
05	Rotor	1	23	O-Ring	1
06	Blade	4	24	Valve Pin	1
07	Spacer	1	25	Snap Ring	1
08	Cylinder	1	26	Throttle Lever	1
09	Front End Plate	1	27	Spring Pin	1
10	Ball Bearing	1	28	Seal	1
11	Cover	1	29	Valve Stem	1
12	Disc Cover	1	30	Spring	1
13	Screw	1	31	O-Ring	1
14	Adaptor	1	32	Felt	1
15	Washer	1	33	Air Deflector	1
16	Lock Nut	1	34	Air Inlet	1
17	O-Ring	1	35	Wrench	2
18	Lock Nut	1			