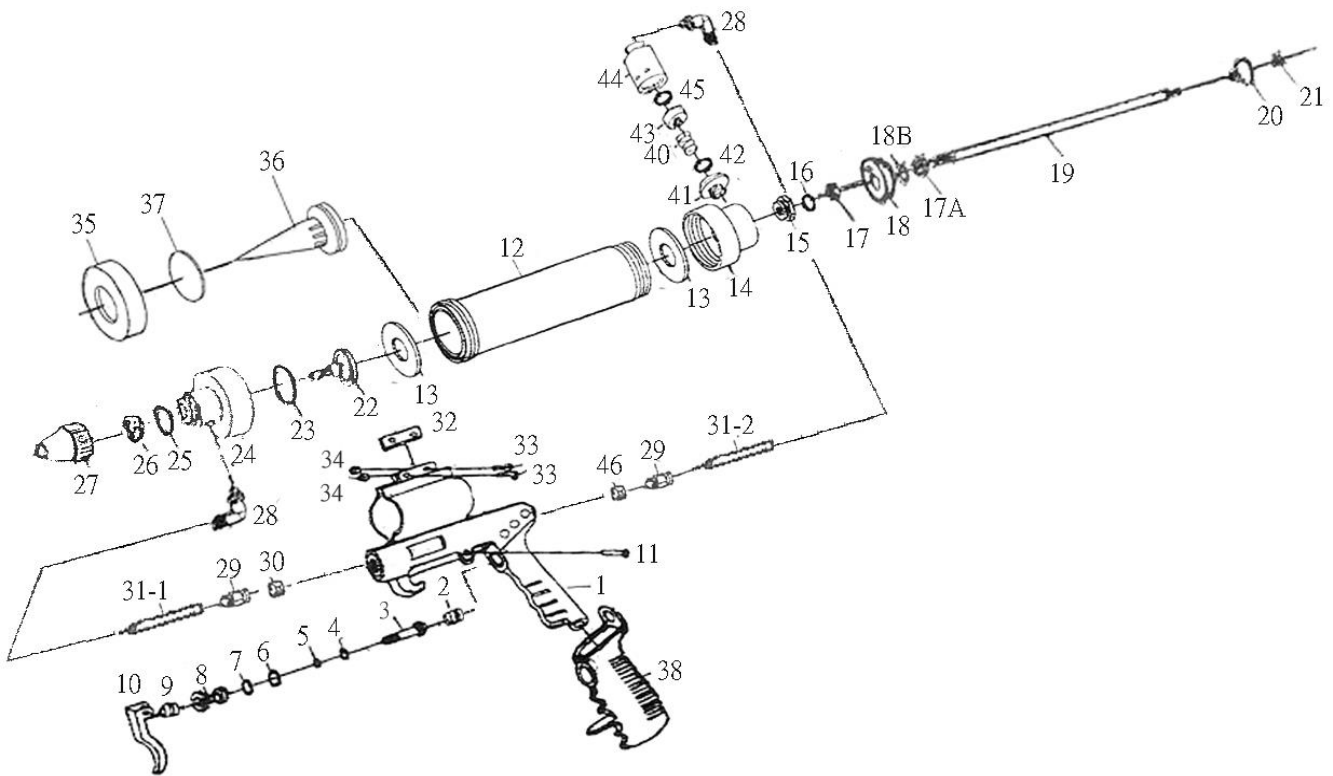


3 IN 1 HEAVY DUTY AIR CAULKING GUN



4616-T

INDEX NO.	DESCRIPTION	REQ'D NO.	INDEX NO.	DESCRIPTION	REQ'D NO.
01	Handle	1	23	O-Ring	1
02	Valve Spring	1	24	Spray Cover Connector	1
03	Throttle Valve	1	25	O-Ring	1
04	O-Ring	1	26	Air Nozzle	1
05	O-Ring	1	27	Spray Nozzle	1
06	O-Ring	1	28	"L" Hose Q.C. Connector	2
07	O-Ring	1	29	Hose Connector	2
08	Valve Bushing	1	30	Regulator Control	1
09	Stem Cover	1	31-1	Air Hose (L) for 9" Tube	1
10	Trigger	1		Air Hose (L) for 11" Tube (Option)	
11	Trigger Riveter	1		Air Hose (L) for 13" Tube (Option)	
12	Aluminum Tube 9"	1	31-2	Air Hose (S) for 9" Tube	1
	Aluminum Tube 11" (Option)			Air Hose (S) for 11" Tube (Option)	
	Aluminum Tube 13" (Option)			Air Hose (S) for 13" Tube (Option)	
13	Gasket	2	32	Spacer	1
14	Tube Connector Cover	1	33	Screw	2
15	Push Rod Bushing	1	34	Nut	2
16	O-Ring	1	35	Front Cover	1
17	Nylon Lock Nut	1	36	Glue Nozzle for Sachet	1
17A	Nut	1	37	O-Ring	1
18	Piston	1	38	Handle Grip	1
18B	Washer	1	40	Piston Spring	1
19	Push Rod 9"	1	41	Exhaust Valve Connector	1
	Push Rod 11" (Option)		42	O-Ring	1
	Push Rod 13" (Option)		43	Piston	1
20	Rod Puller	1	44	Valve Body	1
21	Lock Nut	1	45	O-Ring	1
22	Glue Nozzle	1	46	Pin Regulator	1