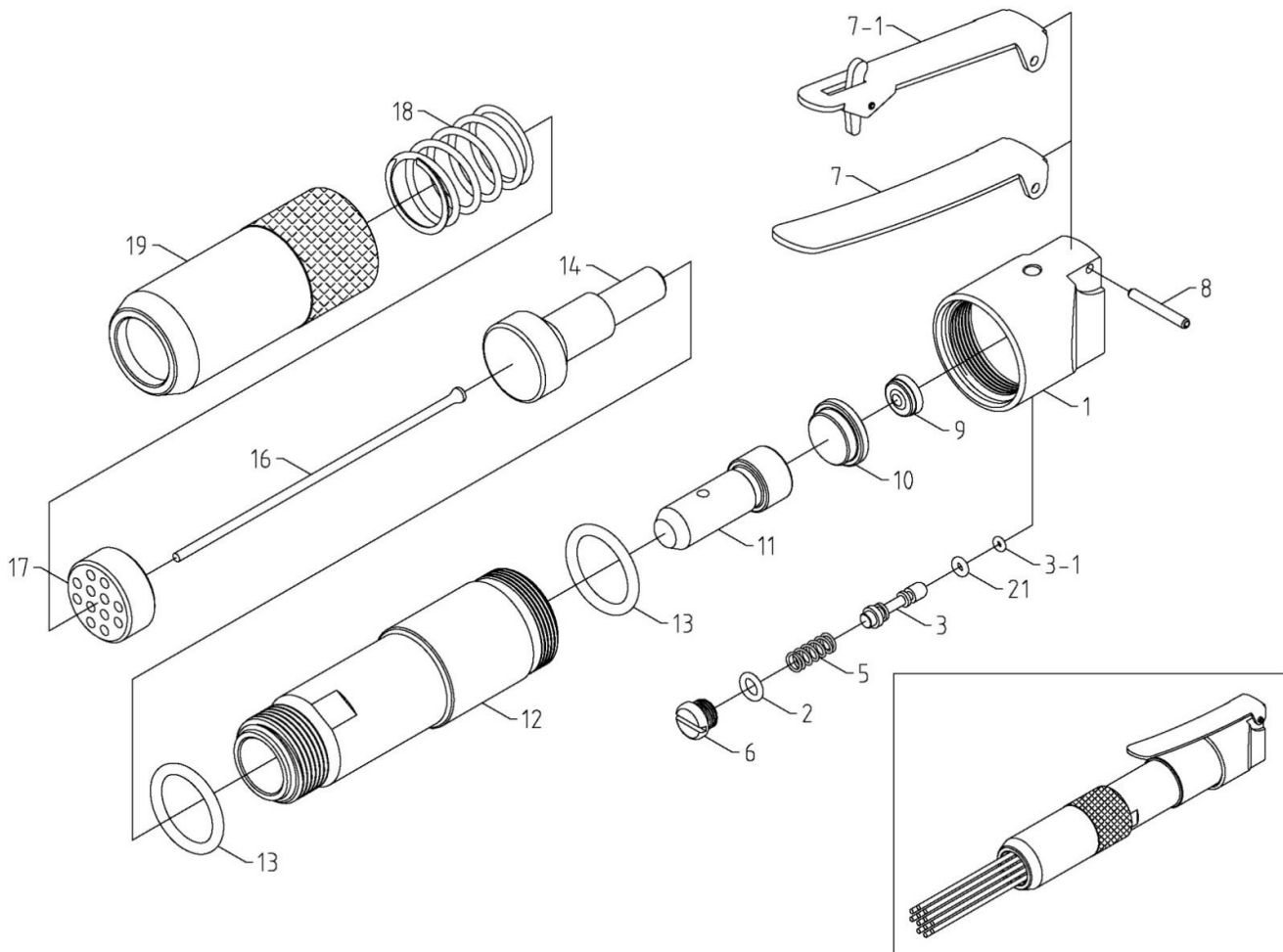


HEAVY DUTY AIR NEEDLE SCALER



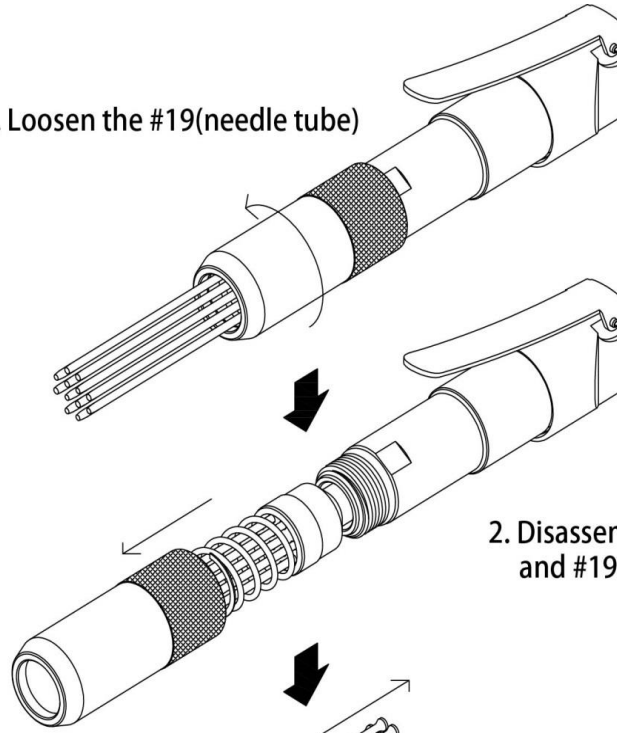
4714

INDEX NO.	DESCRIPTION	REQ'D NO.	INDEX NO.	DESCRIPTION	REQ'D NO.
01	Backhead	1	10	Cylinder Cap	1
02	O-Ring	1	11	Piston	1
03	Valve Stem	1	12	Cylinder	1
03-1	O-Ring	1	13	O-Ring	2
05	Valve Spring	1	14	Driver	1
06	Valve Cap	1	16	Needle (Ø 3×125L)	12
07	Lever	1	17	Needle Holder (Ø 3×12 Holes)	1
07-1	Locking Lever (Option)		18	Compression Spring	1
08	Spring Pin	1	19	Front Tube	1
09	Bumper	1	21	O-Ring	1

0000.00.00

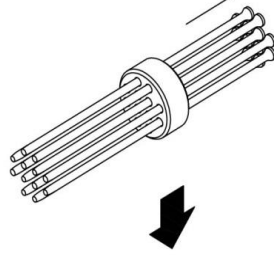
2019.01.04 2019.07.02

1. Loosen the #19(needle tube)

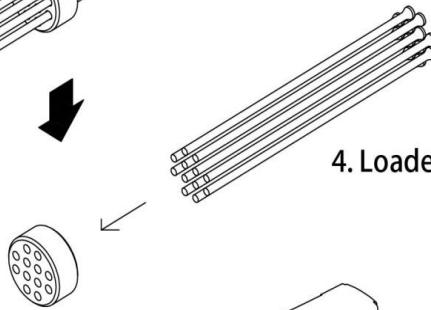


2. Disassembly these #18(spring) and #19(needle tube)

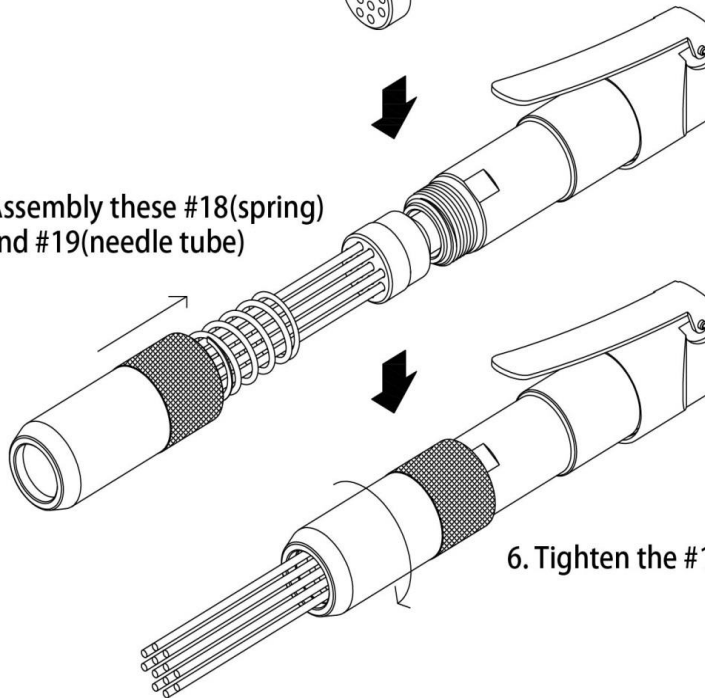
3. Remove original #16(needle)



4. Loaded new #16(needle)



5. Assembly these #18(spring) and #19(needle tube)



6. Tighten the #19(needle tube)