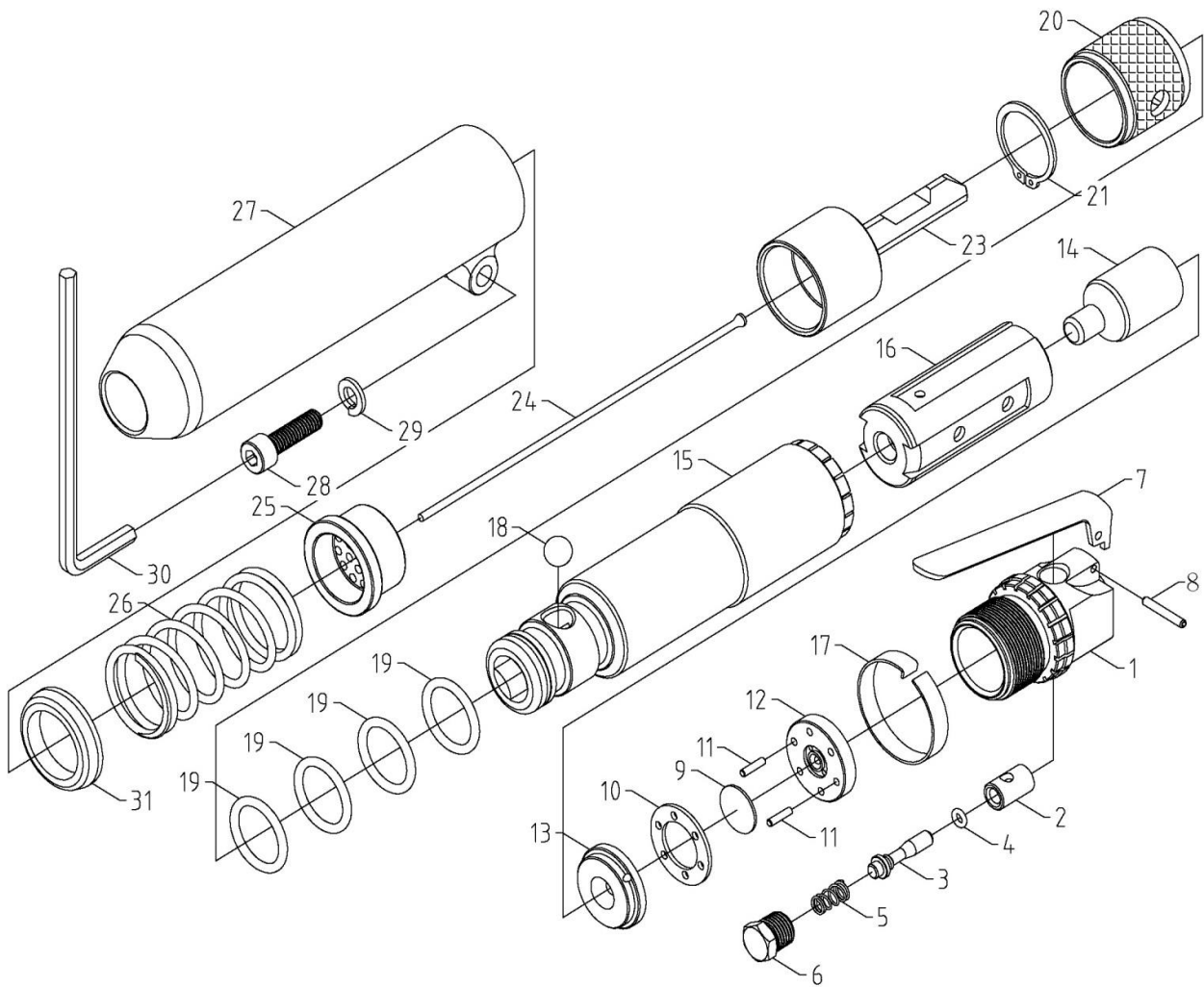


SUPER DUTY AIR NEEDLE SCALER



4715

INDEX NO.	DESCRIPTION	REQ'D NO.	INDEX NO.	DESCRIPTION	REQ'D NO.
01	Backhead	1	16	Piston Sleeve	1
02	Valve Bushing	1	17	Retainer Clip	1
03	Valve Stem	1	18	Steel Ball	1
04	O-Ring	1	19	O-Ring	4
05	Valve Spring	1	20	Chisel Cover	1
06	Hex. Bolt	1	21	Snap Ring	1
07	Lever	1	23	Driver	1
08	Spring Pin	1	24	Needle (Ø 3×180L)	19
09	Valve Disc	1	25	Needle Holder (Ø 3×19 Holes)	1
10	Valve Case	1	26	Compression Spring	1
11	Dowel Pin	2	27	Front Tube	1
12	Lower Valve Case	1	28	Cap Head Screw	1
13	Upper Valve Case	1	29	Spring Washer	1
14	Piston	1	30	Hex. Wrench (6mm)	1
15	Barrel	1	31	Washer	1

0000.00.00

2017.10.31 2019.07.02