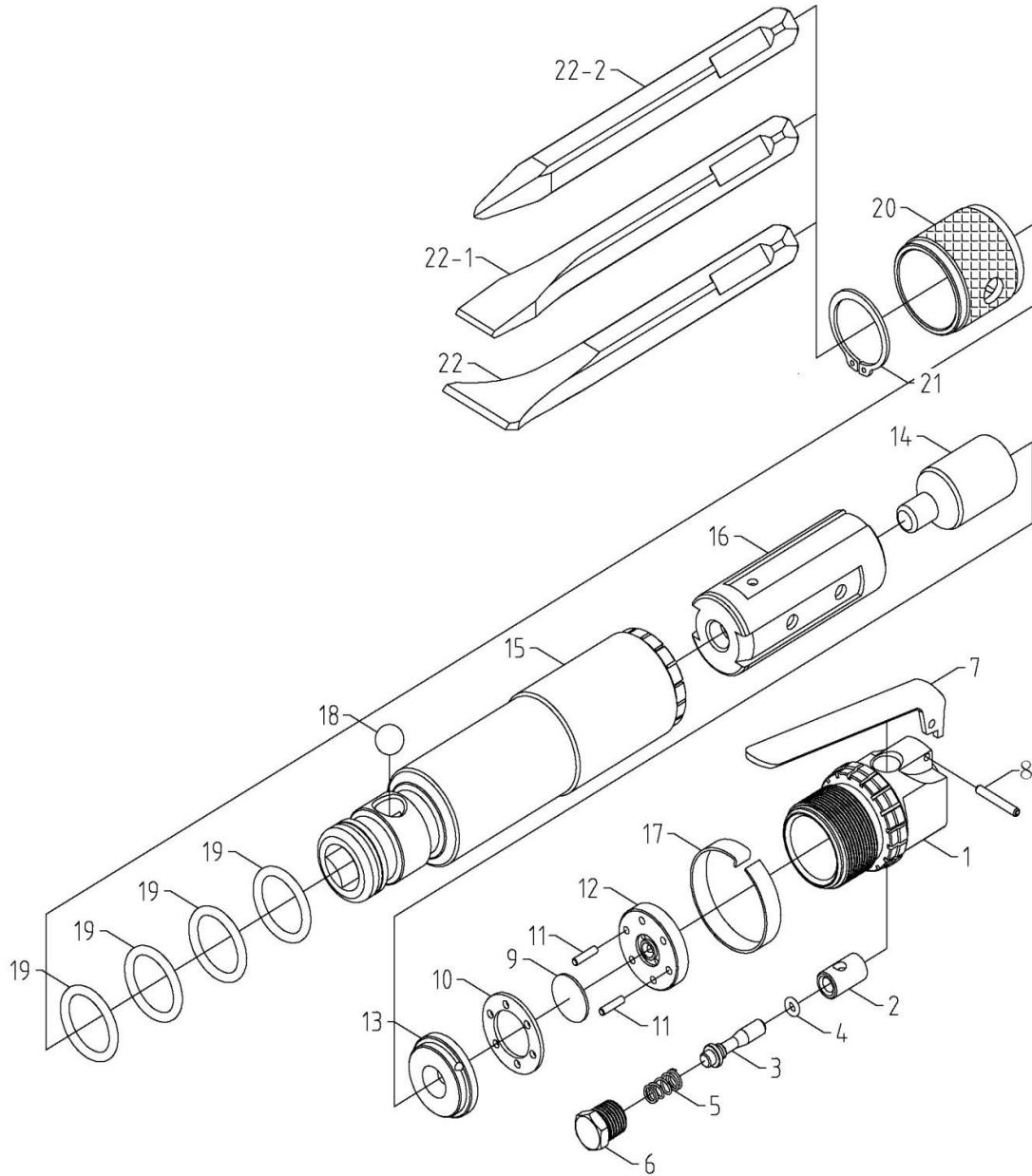


SUPER DUTY AIR FLUX CHIPPER



4717

INDEX NO.	DESCRIPTION	REQ'D NO.	INDEX NO.	DESCRIPTION	REQ'D NO.
01	Backhead	1	13	Upper Valve Case	1
02	Valve Bushing	1	14	Piston	1
03	Valve Stem	1	15	Barrel	1
04	O-Ring	1	16	Piston Sleeve	1
05	Valve Spring	1	17	Retainer Clip	1
06	Hex. Bolt	1	18	Steel Ball	1
07	Lever	1	19	O-Ring	4
08	Spring Pin	1	20	Chisel Cover	1
09	Valve Disc	1	21	Snap Ring	1
10	Valve Case	1	22	Chisel (Bend,35mm)	1
11	Dowel Pin	2	22-1	Chisel (Flat,20mm) (Option)	1
12	Lower Valve Case	1	22-2	Chisel (Point) (Option)	1

0000.00.00

2017.10.31 2019.07.02