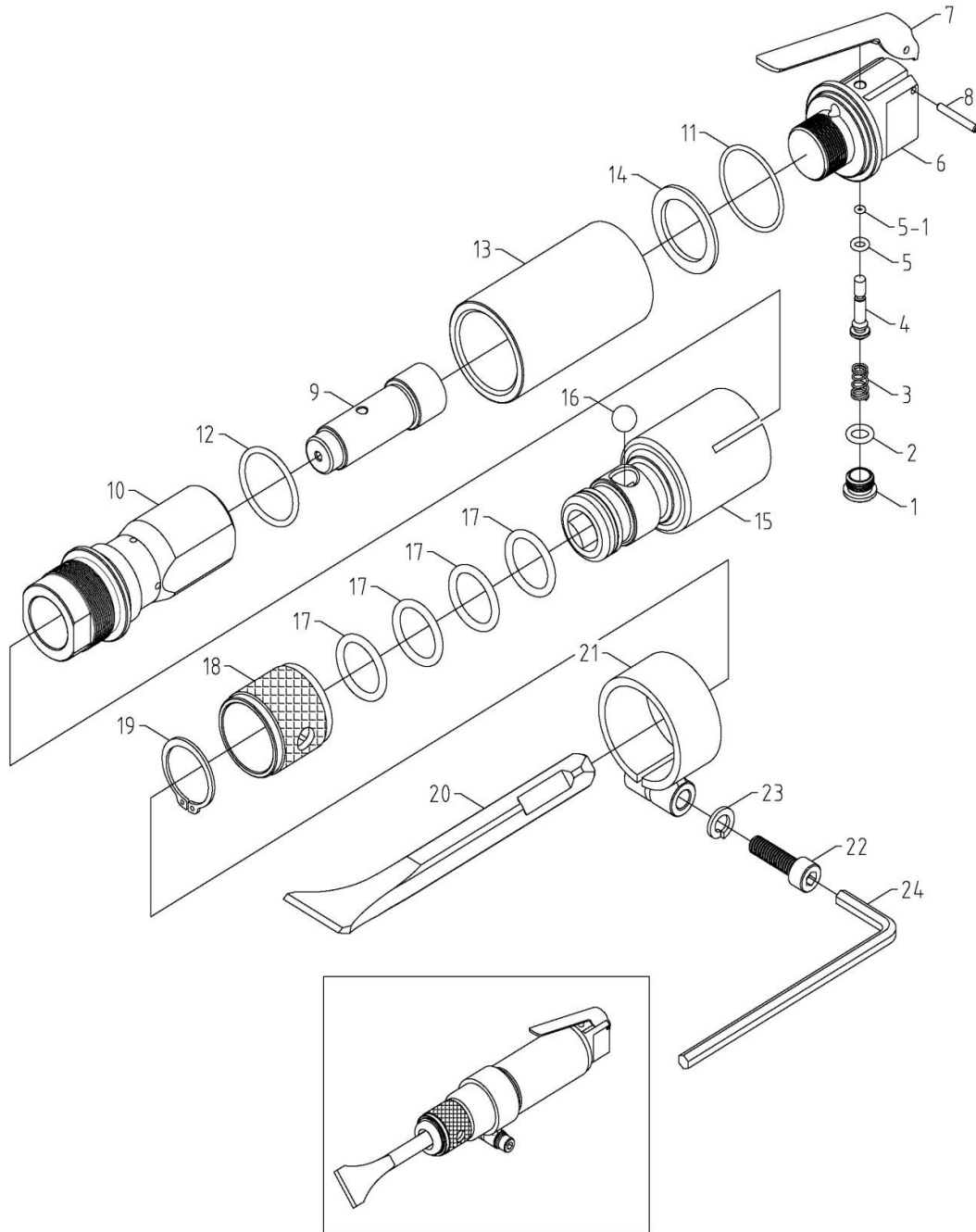


# SUPER DUTY AIR FLUX CHIPPER



4720

INDEX NO.	DESCRIPTION	REQ'D NO.	INDEX NO.	DESCRIPTION	REQ'D NO.
01	Valve Cap	1	13	Cylinder Sleeve	1
02	O-Ring	1	14	Washer	1
03	Valve Spring	1	15	Chisel Holder	1
04	Valve Stem	1	16	Steel Ball	1
05	O-Ring	1	17	O-Ring	4
05-1	O-Ring	1	18	Chisel Cover	1
06	Backhead	1	19	Snap Ring	1
07	Lever	1	20	Chisel (Bent,35mm)	1
08	Spring Pin	1	21	Clamp Ring	1
09	Piston	1	22	Cap Head Screw	1
10	Cylinder	1	23	Spring Washer	1
11	O-Ring	1	24	Hex. Wrench (6mm)	1
12	O-Ring	1			

