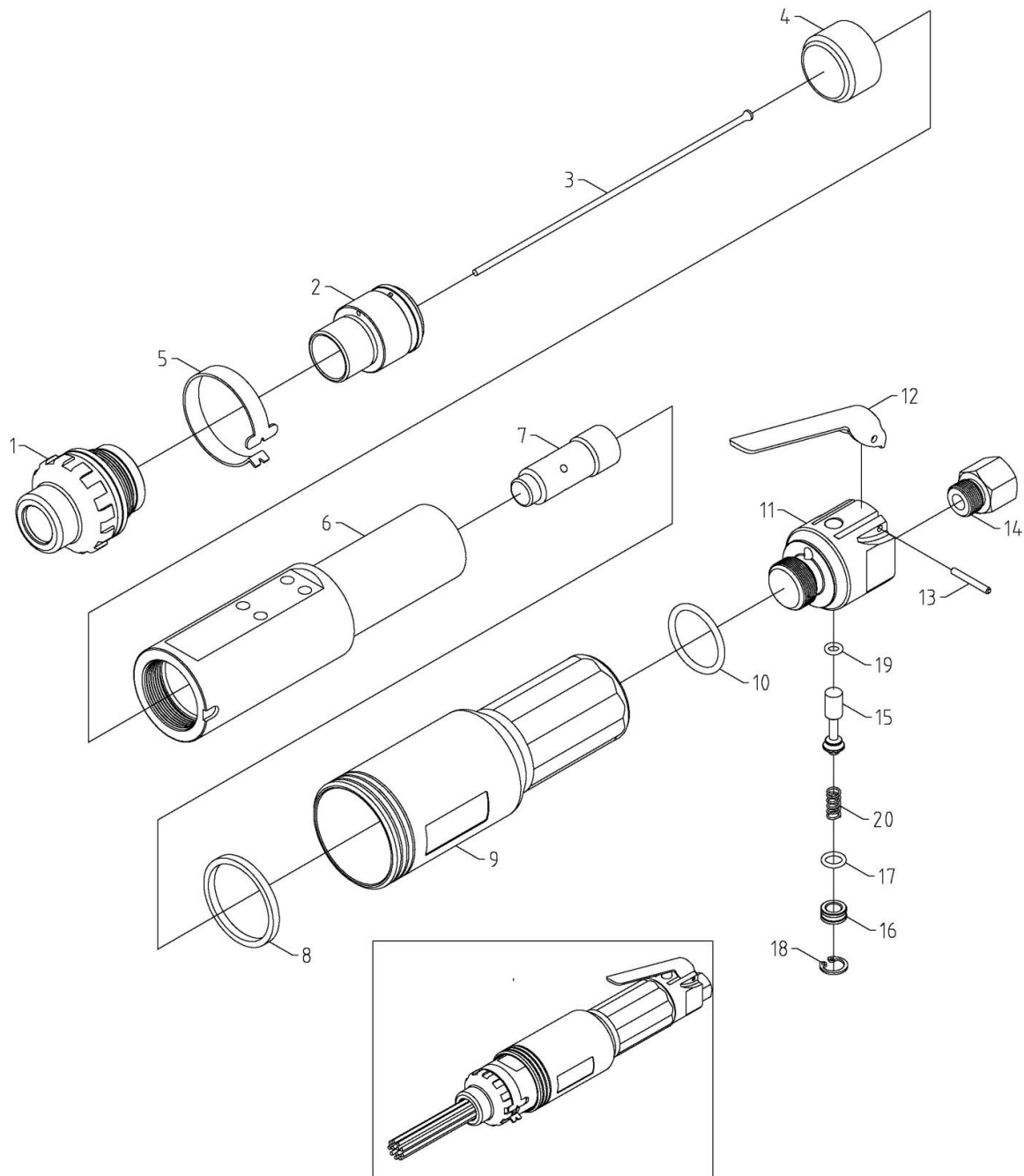


HEAVY DUTY AIR NEEDLE SCALER



4723

INDEX NO.	DESCRIPTION	REQ'D NO.	INDEX NO.	DESCRIPTION	REQ'D NO.
01	Lock Ring	1	10	O-Ring	1
02	Needle Holder (Ø 3×12 Holes)	1	11	Backhead	1
02A	Needle Holder (Ø 2×27 Holes) (Option)	1	12	Lever	1
03	Needle (Ø 3×180L)	12	13	Spring Pin	1
03A	Needle (Ø 2×180L) (Option)	27	14	Inlet Bushing	1
04	Needle Driver	1	15	Valve Stem	1
05	Retainer Clip	1	16	Spring Seat	1
06	Cylinder	1	17	O-Ring	1
07	Piston	1	18	Snap Ring	1
08	Washer	1	19	O-Ring	1
09	Housing Cover	1	20	Valve Spring	1

0000.00.00

2019.01.11 2019.07.17