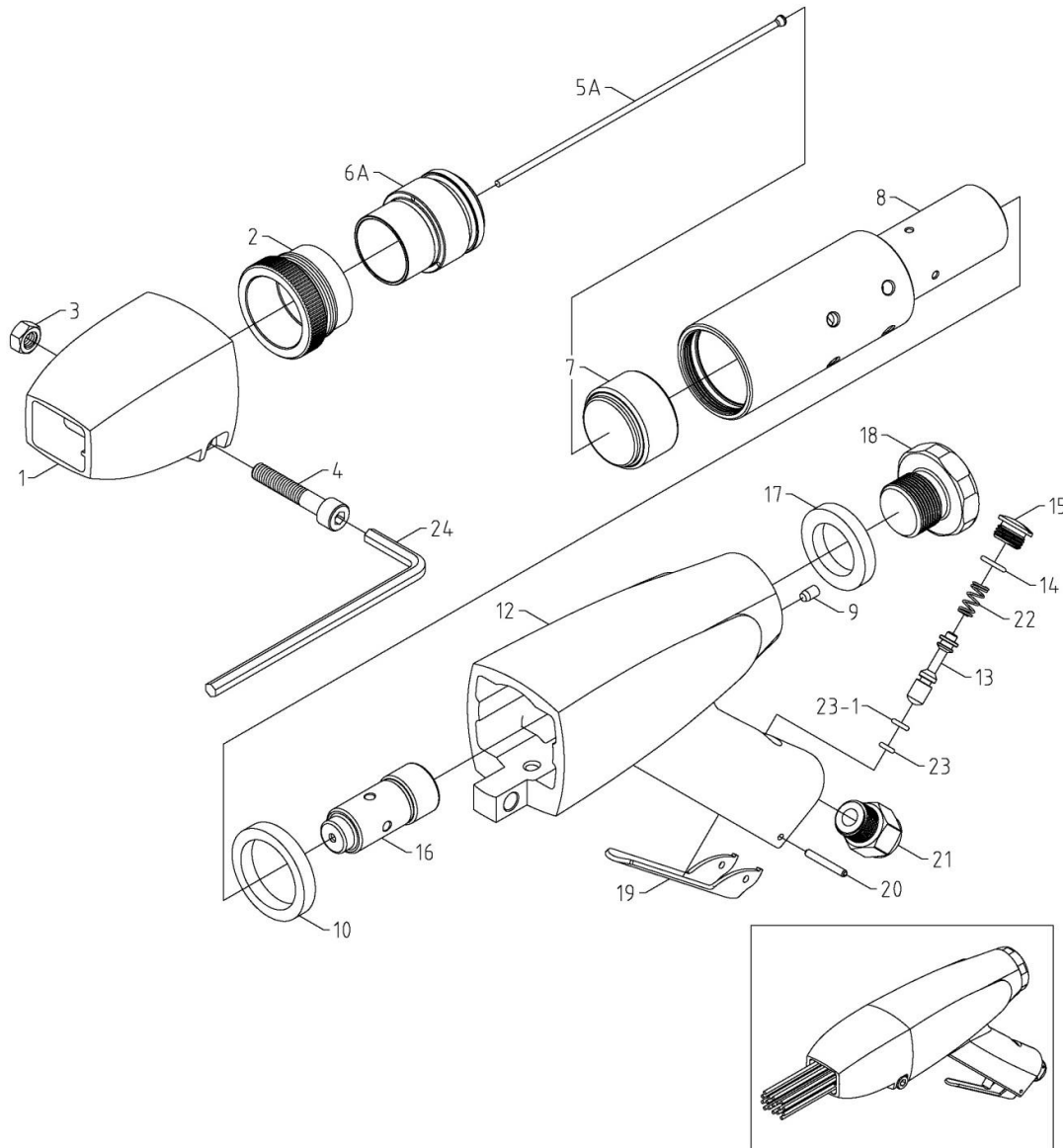


HEAVY DUTY AIR NEEDLE SCALER



4724-P

INDEX NO.	DESCRIPTION	REQ'D NO.	INDEX NO.	DESCRIPTION	REQ'D NO.
01	Front Cap	1	13	Valve Stem	1
02	Lock Ring	1	14	O-Ring	1
03	Nut	1	15	Valve Cap	1
04	Cap Head Screw	1	16	Piston	1
05A	Needle (Ø 3×180L)	23	17	Washer	1
05B	Needle (Ø 2×180L) (Option)	53	18	Rear Bolt	1
06A	Needle Holder (Ø 3x23 Holes)	1	19	Lever	1
06B	Needle Holder (Ø 2x53 Holes) (Option)	1	20	Spring Pin	1
07	Needle Driver	1	21	Inlet Bushing	1
08	Cylinder	1	22	Valve Spring	1
09	Dowel Pin	1	23	O-Ring	1
10	Washer	1	23-1	O-Ring	1
12	Handle	1	24	Hex. Wrench (6mm)	1

0000.00.00

2019.01.09 2019.07.17