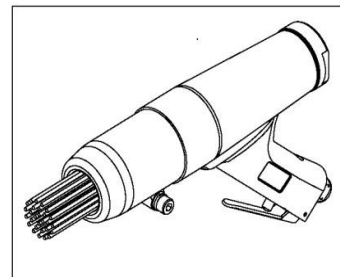
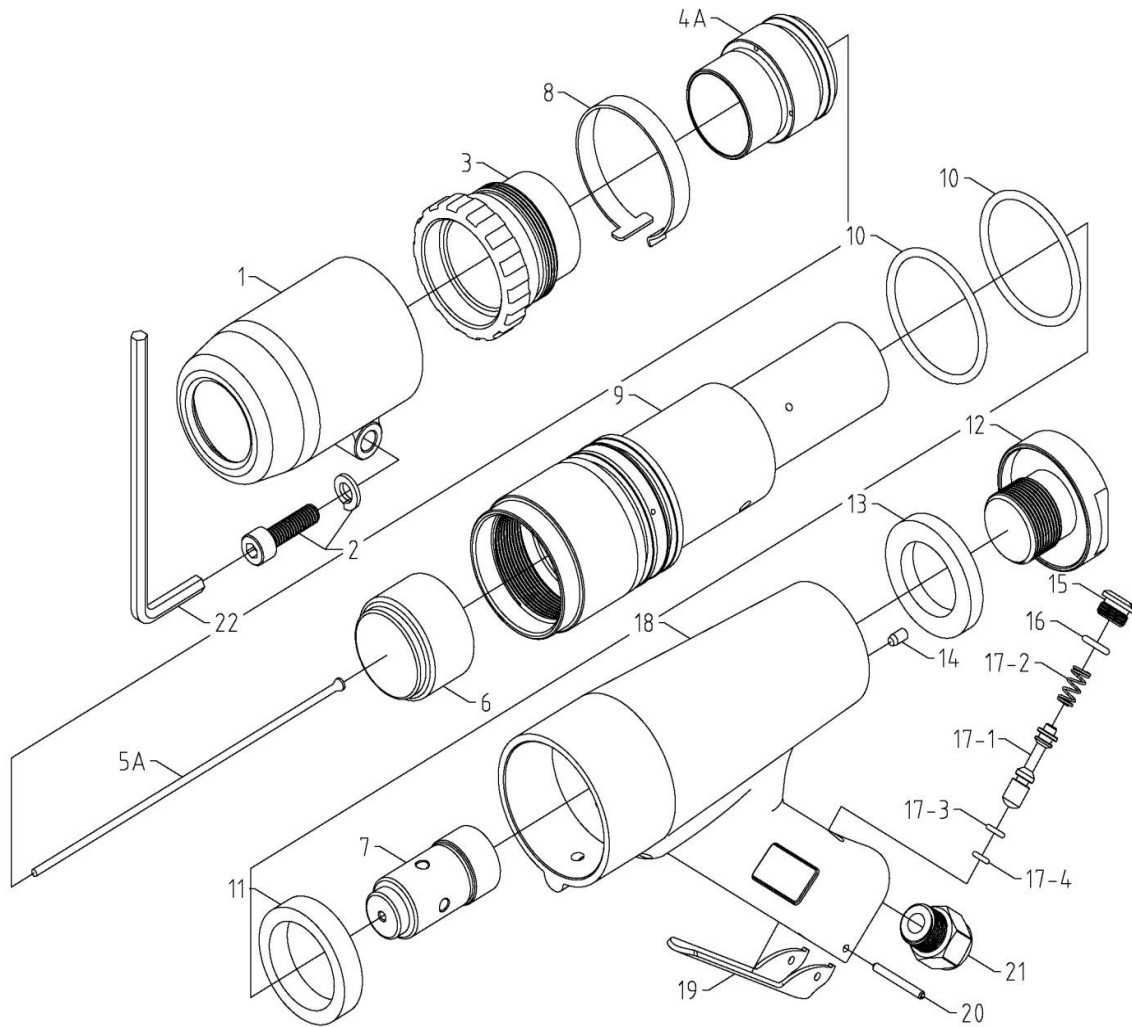


HEAVY DUTY AIR NEEDLE SCALER



4725-P

INDEX NO.	DESCRIPTION	REQ'D NO.	INDEX NO.	DESCRIPTION	REQ'D NO.
01	Front Cap	1	11	Washer	1
02	Cap Head Screw	1	12	Rear Bolt	1
02-1	Spring Washer	1	13	Washer	1
03	Lock Ring	1	14	Dowel Pin	1
04A	Needle Holder (Ø 3×28 Holes)	1	15	Valve Cap	1
04B	Needle Holder (Ø 4×14 Holes) (Option)	1	16	O-Ring	1
04C	Needle Holder (Ø 2×66 Holes) (Option)	1	17-1	Valve Stem	1
05A	Needle (Ø 3×180L)	28	17-2	Valve Spring	1
05B	Needle (Ø 4×180L) (Option)	14	17-3	O-Ring	1
05C	Needle (Ø 2×180L) (Option)	66	17-4	O-Ring	1
06	Needle Driver	1	18	Handle	1
07	Piston	1	19	Lever	1
08	Retainer Clip	1	20	Spring Pin	1
09	Cylinder	1	21	Inlet Bushing	1
10	O-Ring	2	22	Hex. Wrench (6mm)	1

0000.00.00

2019.01.09 2019.07.17