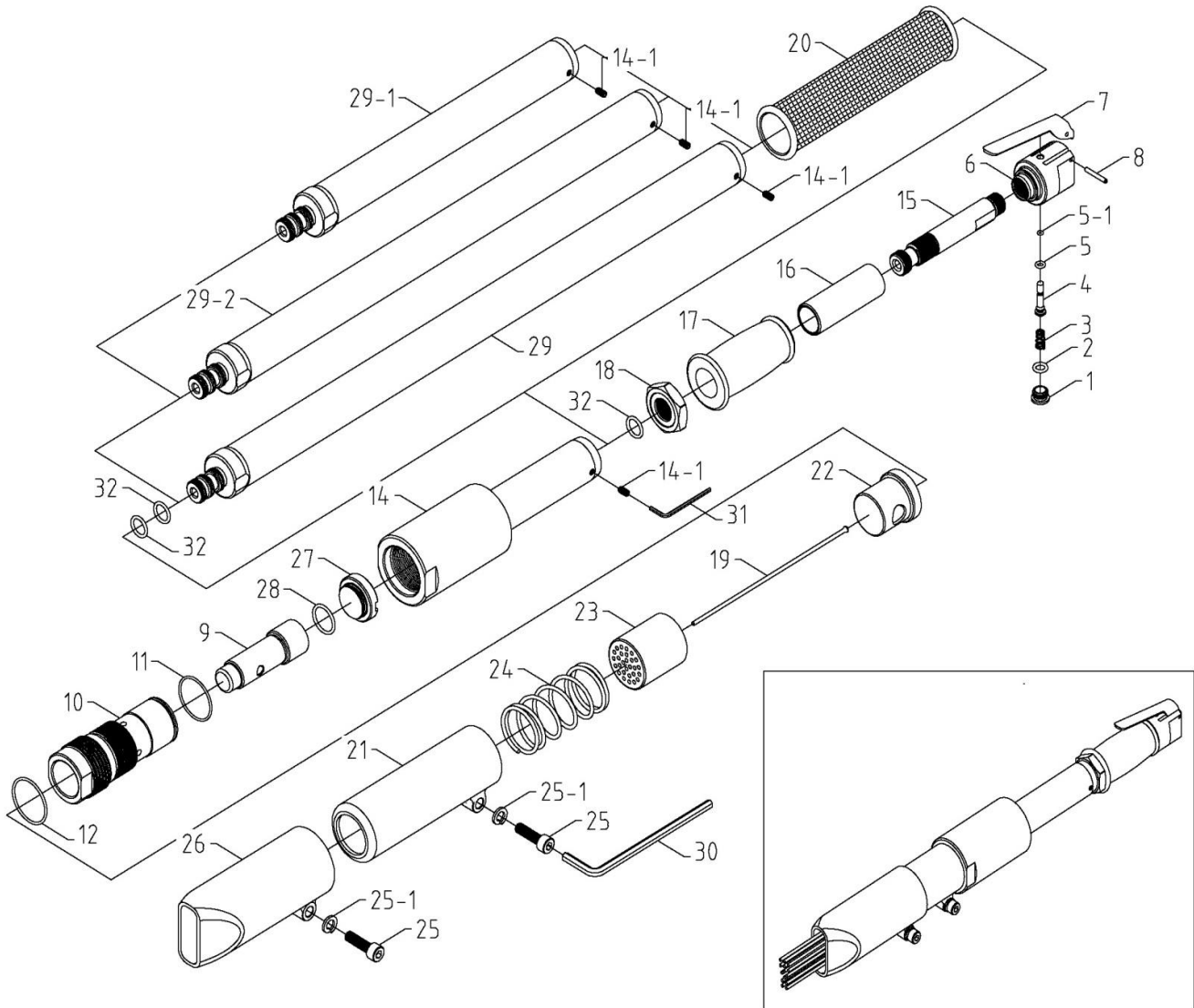


SUPER DUTY AIR LONG REACH NEEDLE SCALER



4731

INDEX NO.	DESCRIPTION	REQ'D NO.	INDEX NO.	DESCRIPTION	REQ'D NO.
01	Valve Cap	1	19	Needle (Ø 3×180L)	28
02	O-Ring	1	19A	Needle (Ø 4×180L) (Option)	19
03	Valve Spring	1	20	Rubber Sleeve (Option)	1
04	Valve Stem	1	21	Intermediate Tube	1
05	O-Ring	1	22	Needle Driver	1
05-1	O-Ring	1	23	Needle Holder (Ø 3×28 Holes)	1
06	Backhead	1	23A	Needle Holder (Ø 4×19 Holes) (Option)	1
07	Lever	1	24	Compression Spring	1
08	Spring Pin	1	25	Cap Head Screw	2
09	Piston	1	25-1	Spring Washer	2
10	Cylinder	1	26	Front Tube	1
11	O-Ring	1	27	Cylinder Cap	1
12	O-Ring	1	28	O-Ring	1
14	Barrel (3L)	1	29	Grip Tube (600mm) With 14-1 · 32x2 (Option)	1
14-1	Socket Set Screw	1	29-1	Grip Tube (300mm) With 14-1 · 32x2 (Option)	1
15	Air Inlet Pipe	1	29-2	Grip Tube (500mm) With 14-1 · 32x2 (Option)	1
16	Handle Sleeve	1	30	Hex. Wrench (6mm)	1
17	Rubber Grip	1	31	Hex. Wrench (2.5mm)	1
18	Nut	1	32	O-Ring	1

0000.00.00

2019.01.10 2019.07.01