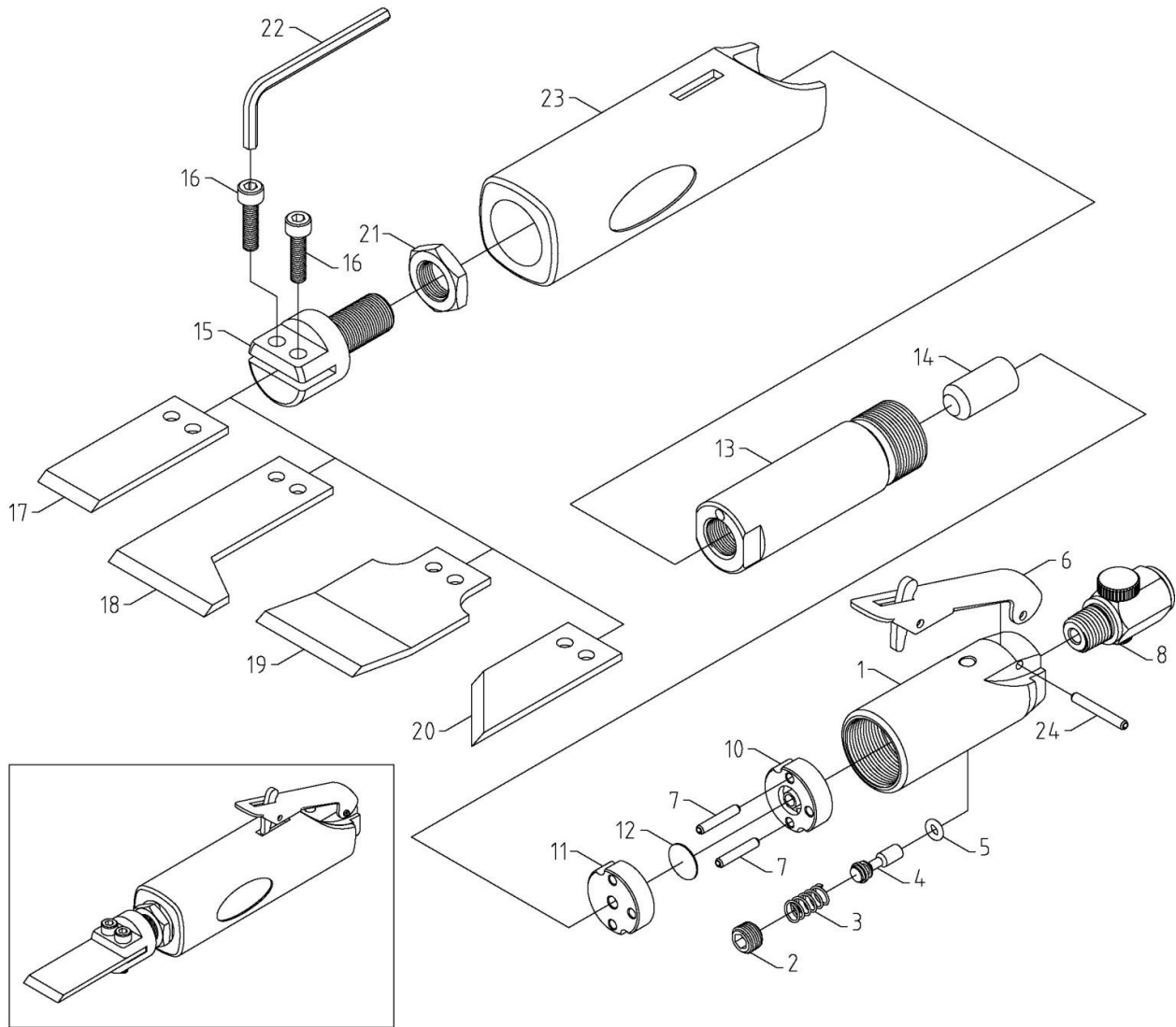


HEAVY DUTY AIR GASKET SCRAPER



4742

INDEX NO.	DESCRIPTION	REQ'D NO.	INDEX NO.	DESCRIPTION	REQ'D NO.
01	Backhead	1	14	Piston	1
02	Socket Set Screw	1	15	Blade Holder	1
03	Valve Spring	1	16	Cap Head Screw	2
04	Valve Stem	1	17	Blade-Flat (25mm)	1
05	O-Ring	1	18	Blade-L-Shaped (45mm) (Option)	1
06	Locking Lever	1	19	Blade-Bending (45mm) (Option)	1
07	Spring Pin	2	20	Blade-Angle (25mm) (Option)	1
08	Regulator Kit	1	21	Nut	1
10	Upper Valve Case	1	22	Hex. Wrench (4mm)	1
11	Lower Valve Case	1	23	Rubber Sleeve	1
12	Valve Disc	1	24	Spring Pin	1
13	Cylinder	1			

0000.00.00

2019.01.10 2019.07.16