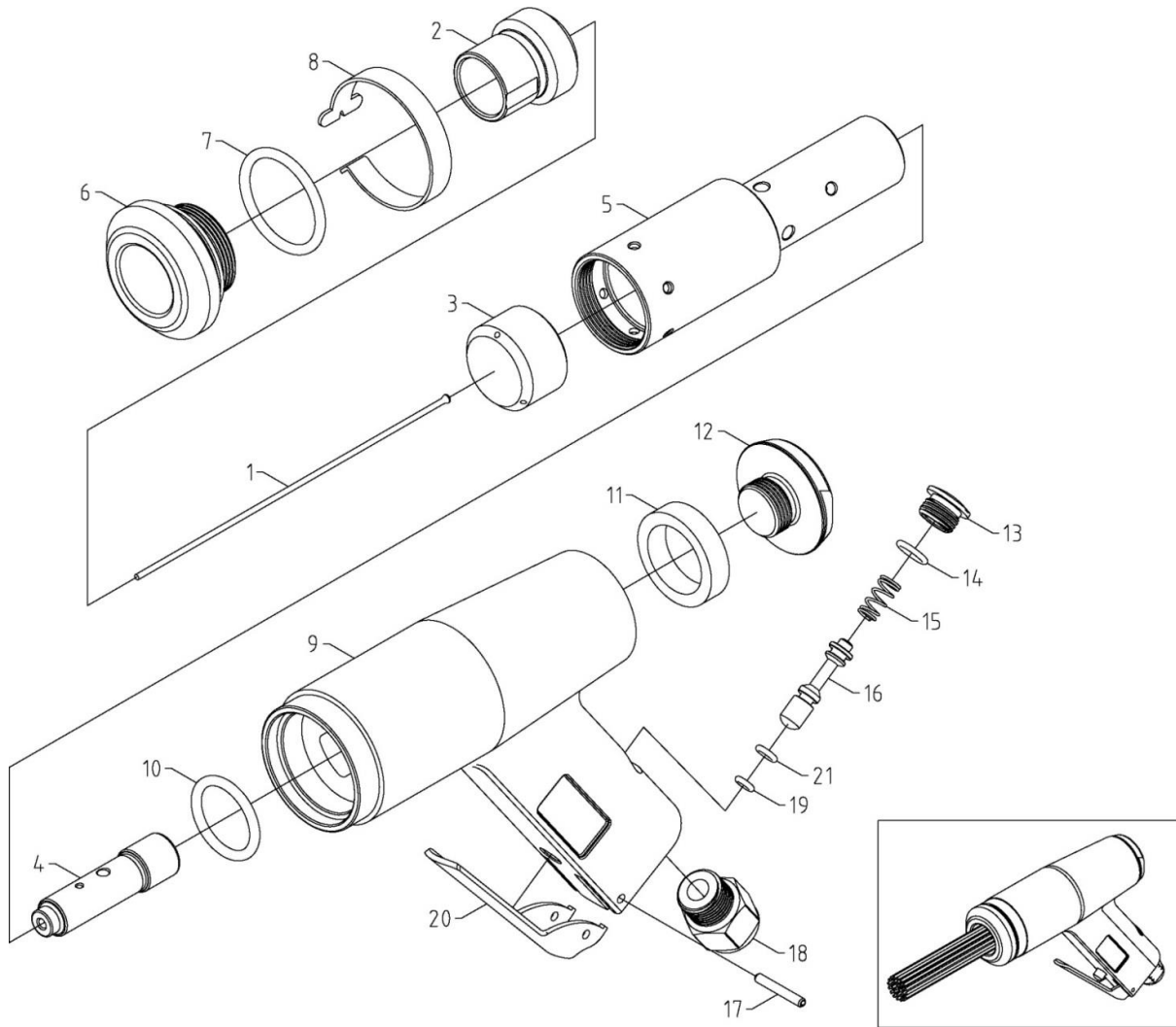


HEAVY DUTY AIR NEEDLE SCALER



4784

INDEX NO.	DESCRIPTION	REQ'D NO.	INDEX NO.	DESCRIPTION	REQ'D NO.
01	Needle (Ø 2×150L)	29	12	Rear Bolt	1
02	Needle Holder (Ø 2×29 Holes)	1	13	Valve Cap	1
03	Needle Driver	1	14	O-Ring	1
04	Piston	1	15	Valve Spring	1
05	Cylinder	1	16	Valve Stem	1
06	Lock Ring	1	17	Spring Pin	1
07	O-Ring	1	18	Inlet Bushing	1
08	Retainer Clip	1	19	O-Ring	1
09	Handle	1	20	Lever	1
10	O-Ring	1	21	O-Ring	1
11	Washer	1			

0000.00.00

2010.09.24 2019.07.16