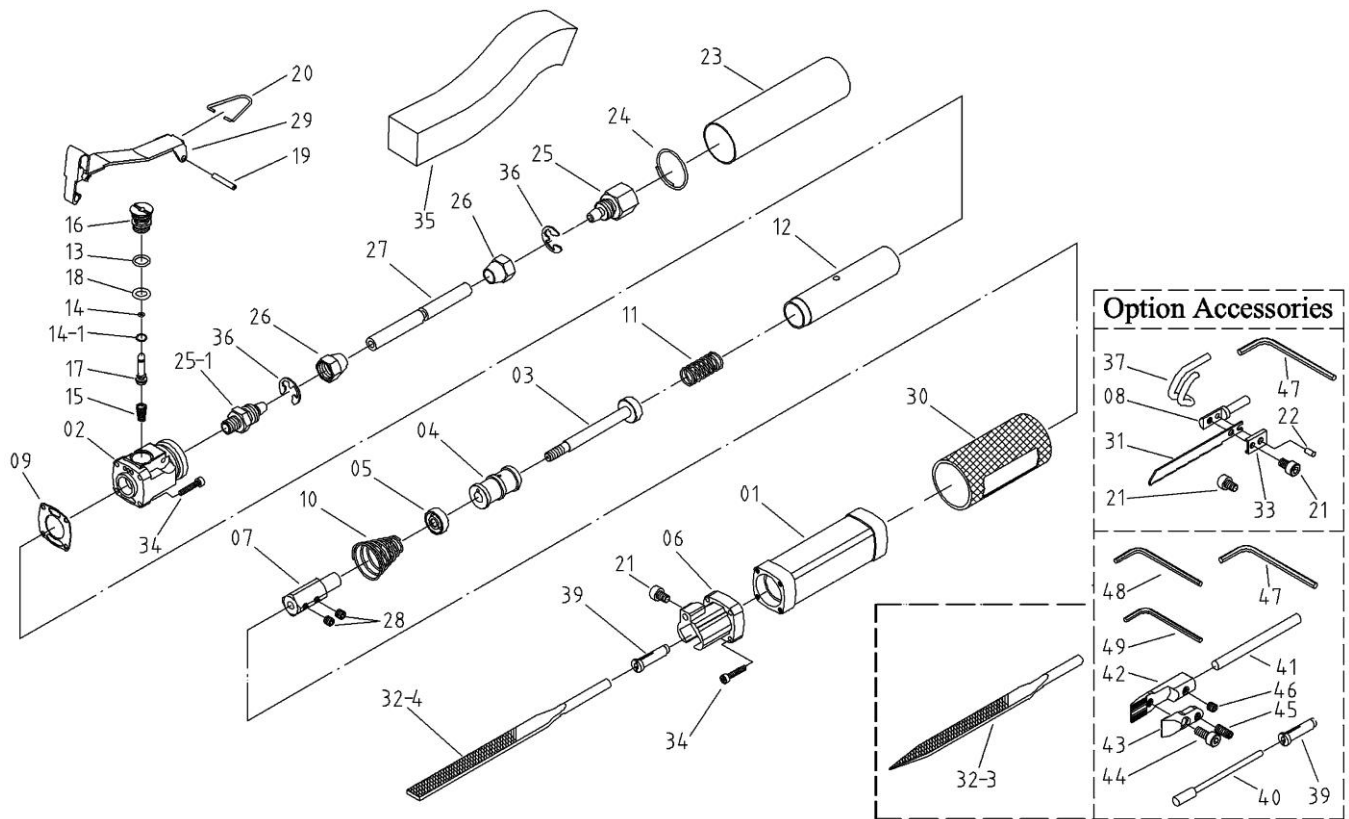


# HEAVY DUTY AIR FILE TOOL



4812

| INDEX NO. | DESCRIPTION            | REQ'D NO. | INDEX NO. | DESCRIPTION  | REQ'D NO. |
|-----------|------------------------|-----------|-----------|--|-----------|
| 01        | Body                   | 1         | 30        | Rubber Sleeve  | 1         |
| 02        | Valve Case             | 1         | 31        | Saw(24T)(Option)   | 1         |
| 03        | Piston Rod             | 1         | 32-1      | Circular File  | 1         |
| 04        | Piston                 | 1         | 32-2      | Triangle File  | 1         |
| 05        | Operate Piston         | 1         | 32-3      | Semicircle File(Optional)  | 1         |
| 06        | Head                   | 1         | 32-4      | Square File  | 1         |
| 07        | Holder Cap             | 1         | 33        | Saw Plate(Optional)  | 1         |
| 08        | Blade Holder(Optional) | 1         | 34        | Screw  | 8         |
| 09        | Plastic Plate          | 1         | 35        | Exhaust Cotton   | 1         |
| 10        | Front Spring           | 1         | 36        | Retaining-Ring   | 2         |
| 11        | Rear Spring            | 1         | 37        | Attachment(Optional)   | 1         |
| 12        | Cylinder               | 1         | 39        | Switch Connector   | 1         |
| 13        | O-Ring                 | 1         | 40        | Stick(3mm)(Option)   | 1         |
| 14        | O-Ring                 | 1         | 41        | Stick(5mm)(Option)   | 1         |
| 14-1      | O-Ring                 | 1         | 42        | Blade Holder(Optional)   | 1         |
| 15        | Spring                 | 1         | 43        | Blade(Optional)  | 1         |
| 16        | Valve Plug             | 1         | 44        | Screw(Optional)  | 1         |
| 17        | Valve                  | 1         | 45        | Screw(Optional)  | 1         |
| 18        | O-Ring                 | 1         | 46        | Screw(Optional)  | 1         |
| 19        | Spring Pin             | 1         | 47        | Hexagon Spanner(3mm)(Option)   | 1         |
| 20        | Hanger                 | 1         | 48        | Hexagon Spanner(2.5mm)   | 1         |
| 21        | Screw(Optional)        | 2         | 49        | Hexagon Spanner(2mm)(Option)   | 1         |
| 22        | Spring Pin(Optional)   | 1         |           |  |           |
| 23        | Muffler                | 1         | S3        | Saw of Accessories Set(Optional)<br>Incl.#08, #21*2, #22, #31, #33,<br>#37, #47                    | 1 set     |
| 24        | Ring                   | 1         |           |  |           |
| 25        | 1/4" Hose Nipple       | 1         |           |  |           |
| 25-1      | 1/8" Hose Nipple       | 1         | S         | Blade of Accessories Set(Optional)<br>Incl.#39, #40, #41, #42, #43, #44<br>#45, #46, #47, #48, #49 | 1 set     |
| 26        | Hose Nipple            | 2         |           |  |           |
| 27        | Air Hose               | 1         | F         | File of Accessories Set(Optional)<br>Incl.#32-1, #32-2, #32-3, #32-4                               | 1 set     |
| 28        | Screw                  | 2         |           |  |           |
| 29        | Lever                  | 1         |           |  |           |

0000.00.00

2011.07.08 2013.10.18