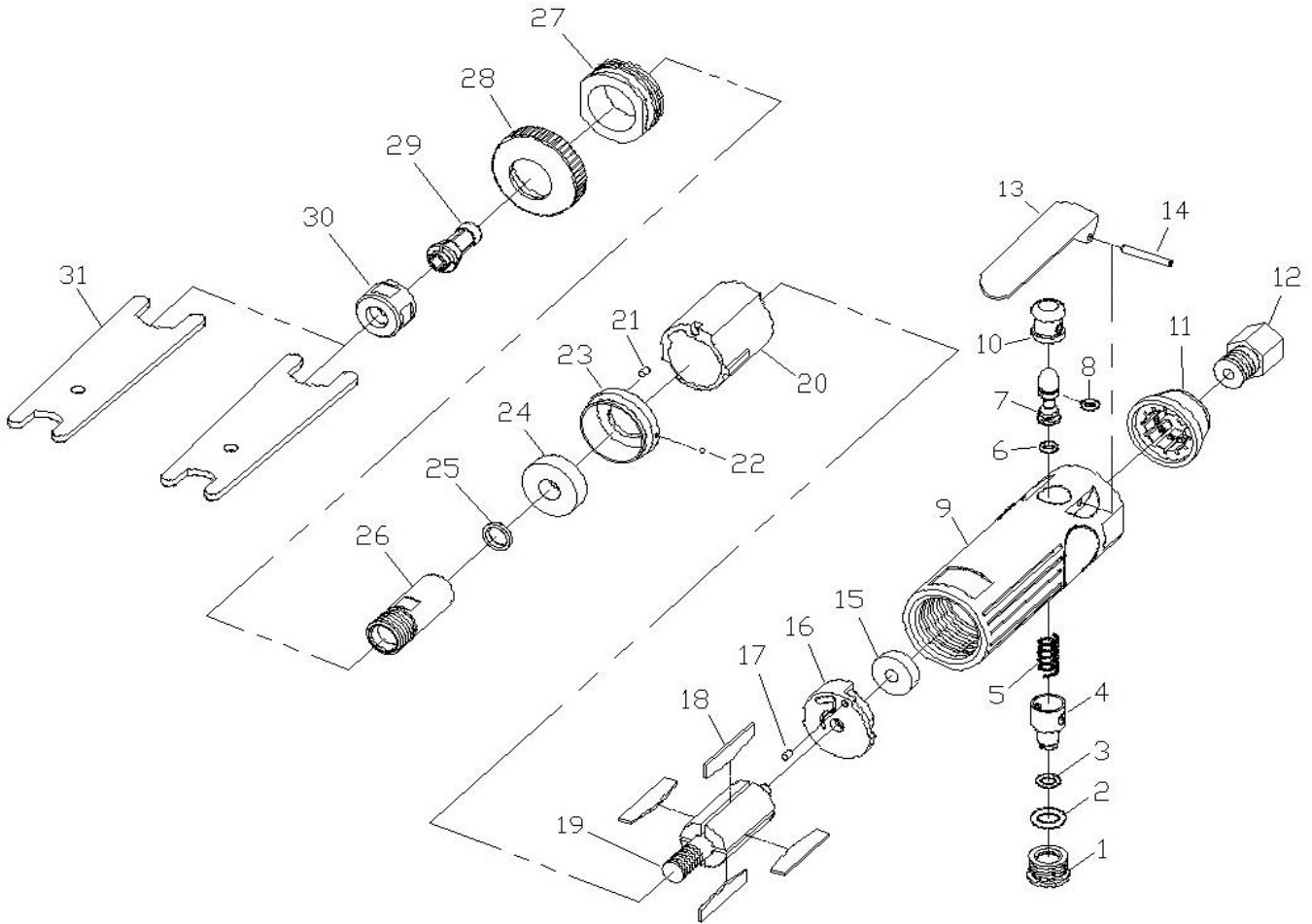


HEAVY DUTY AIR DIE GRINDER



6206

INDEX NO.	DESCRIPTION	REQ'D NO.	INDEX NO.	DESCRIPTION	REQ'D NO.
01	Plug Screw	1	17	Locating Pin	1
02	O-Ring	1	18	Rotor Blade	4
03	O-Ring	1	19	Rotor	1
04	Air Regulator	1	20	Cylinder	1
05	Valve Spring	1	21	Locating Pin	1
06	O-Ring	1	22	Ball	1
07	Valve Stem	1	23	Bearing Plate	1
08	O-Ring	1	24	Bearing	1
09	Motor Housing	1	25	Washer	1
10	Valve Bushing	1	26	Spindle	1
11	Muffler	1	27	Lock Ring	1
12	Air Inlet	1	28	Housing Cap	1
13	Lever	1	29	Collet	1
14	Lever Pin	1	30	Collet Nut	1
15	Bearing	1	31	Wrench	2
16	Bearing Plate	1			

0000.00.00

2008.09.23 2013.07.26