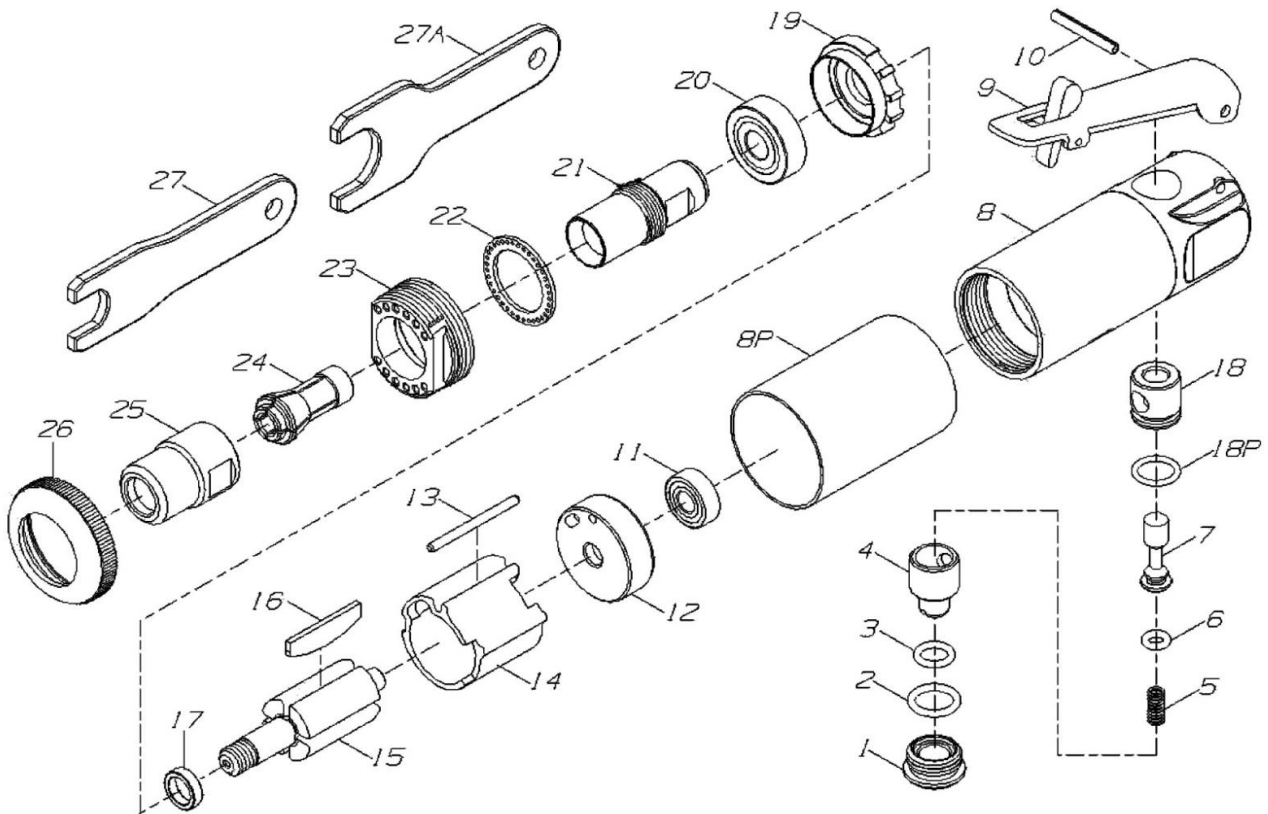


GENERAL DUTY MINI AIR DIE GRINDER



6228

INDEX NO.	DESCRIPTION	REQ'D NO.	INDEX NO.	DESCRIPTION	REQ'D NO.
01	Valve Screw	1	15	Rotor	1
02	O-Ring	1	16	Rotor Blade	4
03	O-Ring	1	17	Rotor Collar	1
04	Air Regulator	1	18	Throttle Valve Bushing	1
05	Throttle Valve Spring	1	18P	O-Ring	1
06	Throttle Valve O-Ring	1	19	Front End Plate	1
07	Throttle Valve	1	20	Ball Bearing	1
08	Motor Housing	1	21	Spindle	1
08P	Housing Sleeve	1	22	Circlip	1
09	Safety Lever	1	23	Lock Nut	1
10	Throttle Lever Pin	1	24	Collet	1
11	Ball Bearing	1	25	Collet Nut	1
12	Rear End Plate	1	26	Housing Cap	1
13	Dowel Pin	1	27A	Spanner Wrench (L)	1
14	Cylinder	1	27	Spanner Wrench (S)	1

0000.00.00

2011.09.13 2019.08.20