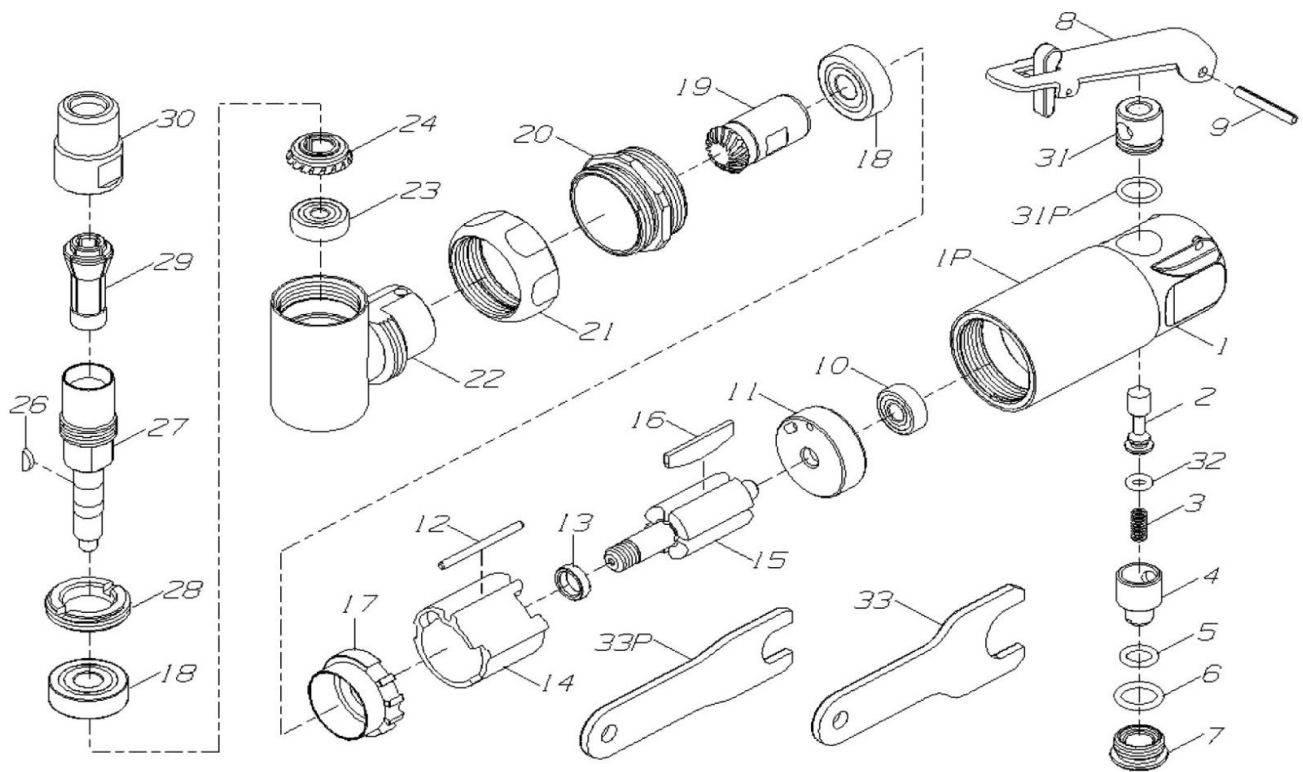


GENERAL DUTY MINI AIR ANGLE DIE GRINDER



6228-A

INDEX NO.	DESCRIPTION	REQ'D NO.	INDEX NO.	DESCRIPTION	REQ'D NO.
01	Motor Housing	1	18	Ball Bearing	2
01P	Housing Sleeve	1	19	Pinion	1
02	Throttle Valve	1	20	Cap Lock	1
03	Throttle Valve Spring	1	21	Threaded Cap	1
04	Air Regulator	1	22	Angle Head Housing	1
05	Regulator O-Ring	1	23	Ball Bearing	1
06	Valve Screw O-Ring	1	24	Spindle Gear	1
07	Valve Screw	1	26	Woodruff Key	1
08	Safety Lever	1	27	Spindle	1
09	Throttle Lever Pin	1	28	Clamp Nut	1
10	Ball Bearing	1	29	Collet	1
11	Rear End Plate	1	30	Collet Nut	1
12	Dowel Pin	1	31	Throttle Valve Bushing	1
13	Rotor Collar	1	31P	Throttle Valve O-Ring	1
14	Cylinder	1	32	O-Ring	1
15	Rotor	1	33	Spanner Wrench (L)	1
16	Rotor Blade	4	33P	Spanner Wrench (S)	1
17	Front End Plate	1			

0000.00.00

2011.09.13 2019.08.20