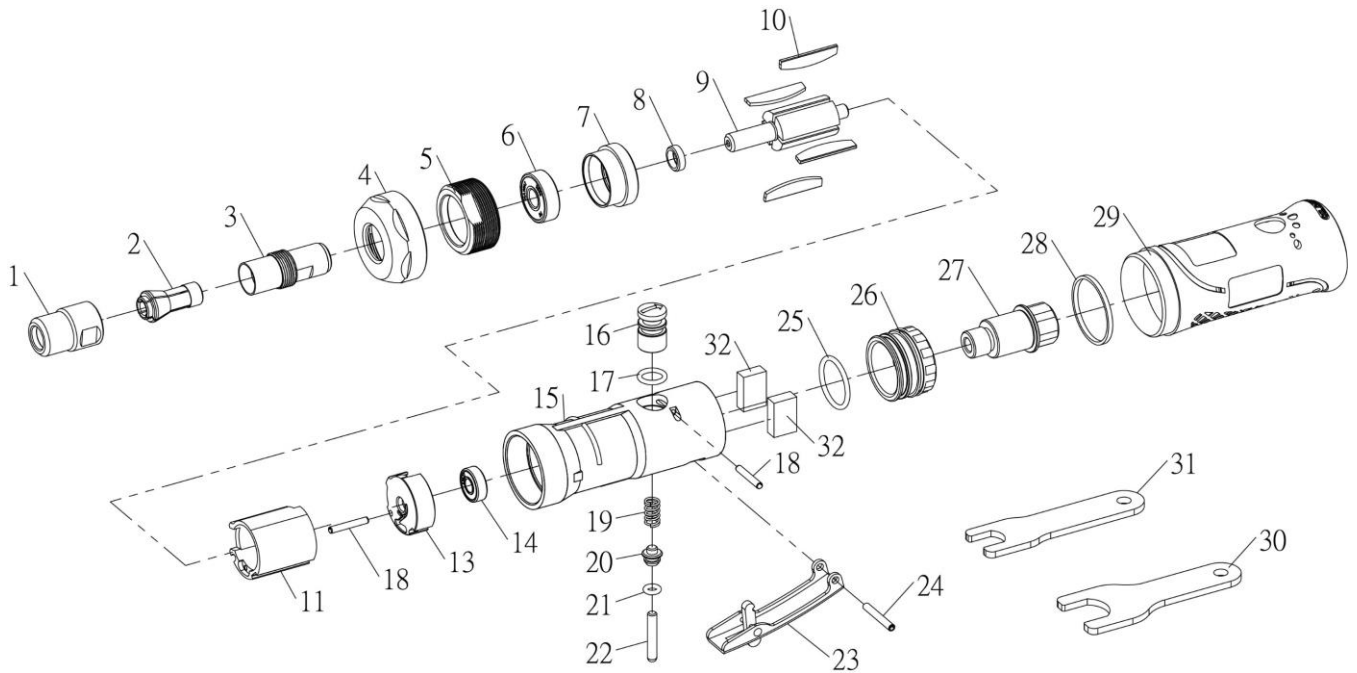


# HEAVY DUTY AIR DIE GRINDER



6241

INDEX NO.	DESCRIPTION	REQ'D NO.	INDEX NO.	DESCRIPTION	REQ'D NO.
01	Collet Nut	1	17	O-Ring	1
02	1/4" Collet	1	18	Spring Pin	2
	6mm Collet		19	Valve Spring	1
03	Spindle	1	20	Throttle Valve	1
04	Coupling Nut	1	21	O-Ring	1
05	Lock Ring	1	22	Valve Shaft	1
06	Ball Bearing	1	23	Safety Lever	1
07	Front End Plate	1	24	Spring Pin	1
08	Bearing Spacer	1	25	O-Ring	1
09	Rotor	1	26	Exhaust Sleeve	1
10	Rotor Blade	4	27	Inlet Bushing	1
11	Cylinder	1	28	Rubber Band	1
13	Rear End Plate	1	29	Housing Cover	1
14	Ball Bearing	1	30	#17mm Spanner	1
15	Motor Housing	1	31	#11mm Spanner	1
16	Air Regulator	1	32	Muffler	2

0000.00.00

2016.09.20 2020.04.01