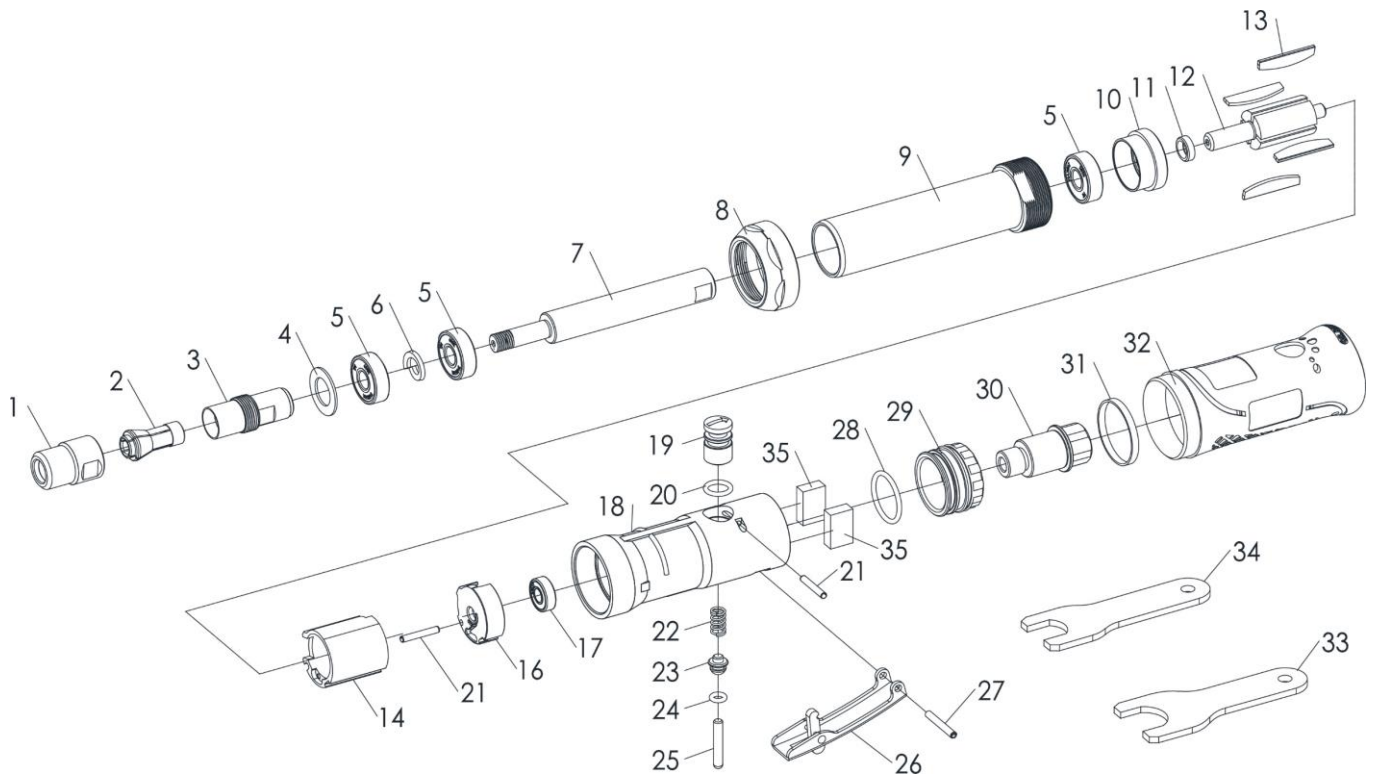


HEAVY DUTY AIR DIE GRINDER



6241-4L

INDEX NO.	DESCRIPTION	REQ'D NO.	INDEX NO.	DESCRIPTION	REQ'D NO.
01	Collet Nut	1	19	Air Regulator	1
02	1/4" Collet	1	20	O-Ring	1
	6mm Collet		21	Spring Pin	2
03	Spindle	1	22	Valve Spring	1
04	Spacer	1	23	Throttle Valve	1
05	Ball Bearing	3	24	O-Ring	1
06	Washer	1	25	Valve Shaft	1
07	Shaft Coupling	1	26	Safety Lever	1
08	Coupling Nut	1	27	Spring Pin	1
09	Retaining Bar	1	28	O-Ring	1
10	Front End Plate	1	29	Exhaust Sleeve	1
11	Bearing Spacer	1	30	Inlet Bushing	1
12	Rotor	1	31	Rubber Band	1
13	Rotor Blade	4	32	Housing Cover	1
14	Cylinder	1	33	#17mm Spanner	1
16	Rear End Plate	1	34	#11mm Spanner	1
17	Ball Bearing	1	35	Muffler	2
18	Motor Housing	1			

0000.00.00

2014.01.16 2016.09.21