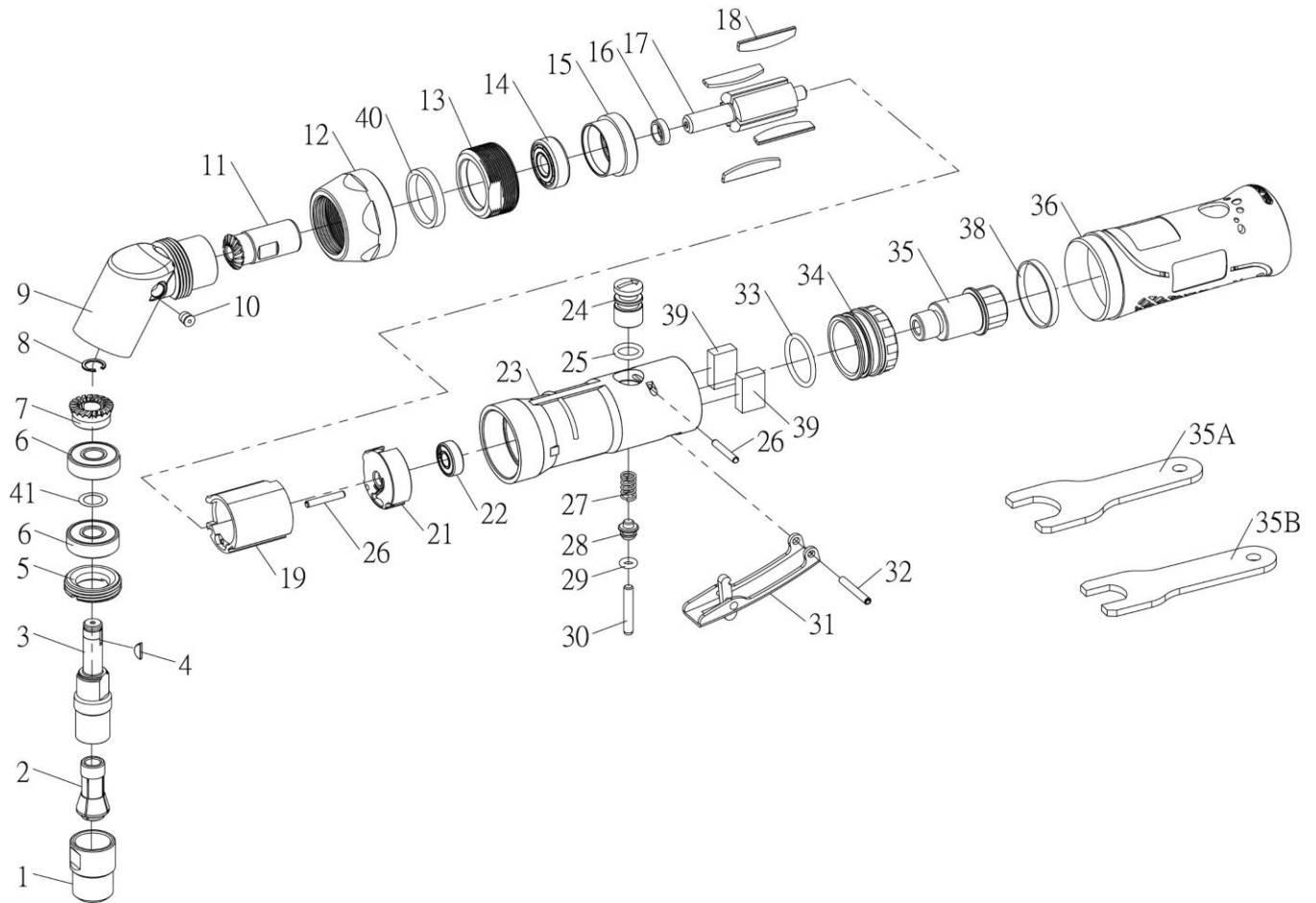


# HEAVY DUTY AIR ANGLE DIE GRINDER



6241-BA

INDEX NO.	DESCRIPTION	REQ'D NO.	INDEX NO.	DESCRIPTION	REQ'D NO.
01	Collet Nut	1	22	Ball Bearing	1
02	1/4" Collet	1	23	Motor Housing	1
	6mm Collet		24	Air Regulator	1
03	Spindle	1	25	O-Ring	1
04	Woodruff Key	1	26	Spring Pin	2
05	Clamp Nut	1	27	Valve Spring	1
06	Ball Bearing	2	28	Throttle Valve	1
07	Spindle Gear	1	29	O-Ring	1
08	Retaining Ring	1	30	Valve Shaft	1
09	Angle Head Housing	1	31	Safety Lever	1
10	Grease Fitting	1	32	Spring Pin	1
11	Pinion	1	33	O-Ring	1
12	Coupling Nut	1	34	Exhaust Sleeve	1
13	Lock Ring	1	35	Inlet Bushing	1
14	Ball Bearing	1	35A	#17mm Spanner	1
15	Front End Plate	1	35B	#11mm Spanner	1
16	Bearing Spacer	1	36	Housing Cover	1
17	Rotor	1	38	Rubber Band	1
18	Rotor Blade	4	39	Muffler	2
19	Cylinder	1	40	Washer	1
21	Rear End Plate	1	41	Washer	1

0000.00.00

2016.09.21 2020.04.01