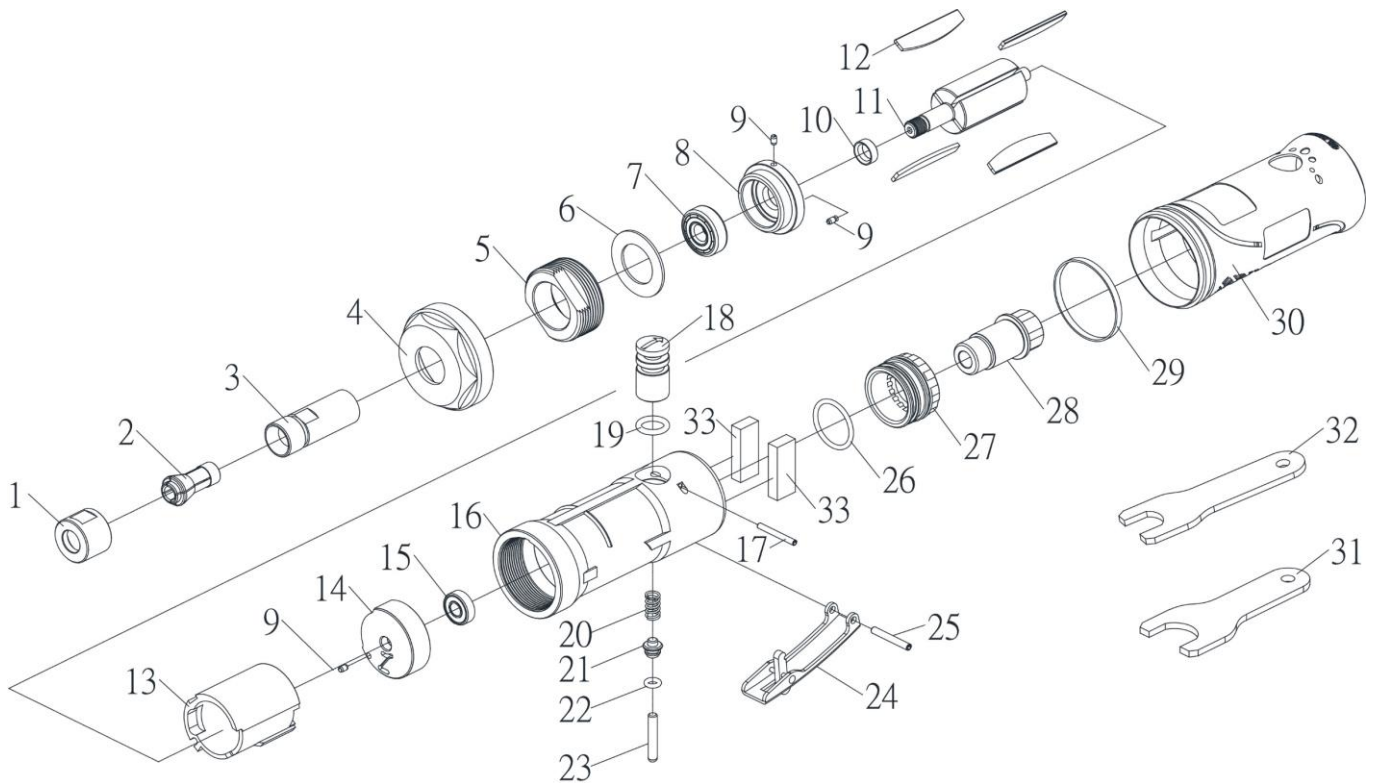


HEAVY DUTY AIR DIE GRINDER



6242

INDEX NO.	DESCRIPTION	REQ'D NO.	INDEX NO.	DESCRIPTION	REQ'D NO.
01	Collet Nut	1	17	Spring Pin	1
02	1/4" Collet	1	18	Air Regulator	1
	6mm Collet		19	O-Ring	1
03	Spindle	1	20	Valve Spring	1
04	Coupling Nut	1	21	Throttle Valve	1
05	Lock Ring	1	22	O-Ring	1
06	Aluminum Spacer	1	23	Valve Shaft	1
07	Ball Bearing	1	24	Safety Lever	1
08	Front End Plate	1	25	Spring Pin	1
09	Spring Pin	3	26	O-Ring	1
10	Bearing Spacer	1	27	Exhaust Sleeve	1
11	Rotor	1	28	Inlet Bushing	1
12	Rotor Blade	4	29	Rubber Band	1
13	Cylinder	1	30	Housing Cover	1
14	Rear End Plate	1	31	#19mm Spanner	1
15	Ball Bearing	1	32	#14mm Spanner	1
16	Motor Housing	1	33	Muffler	2

0000.00.00

2015.01.21 2016.10.21