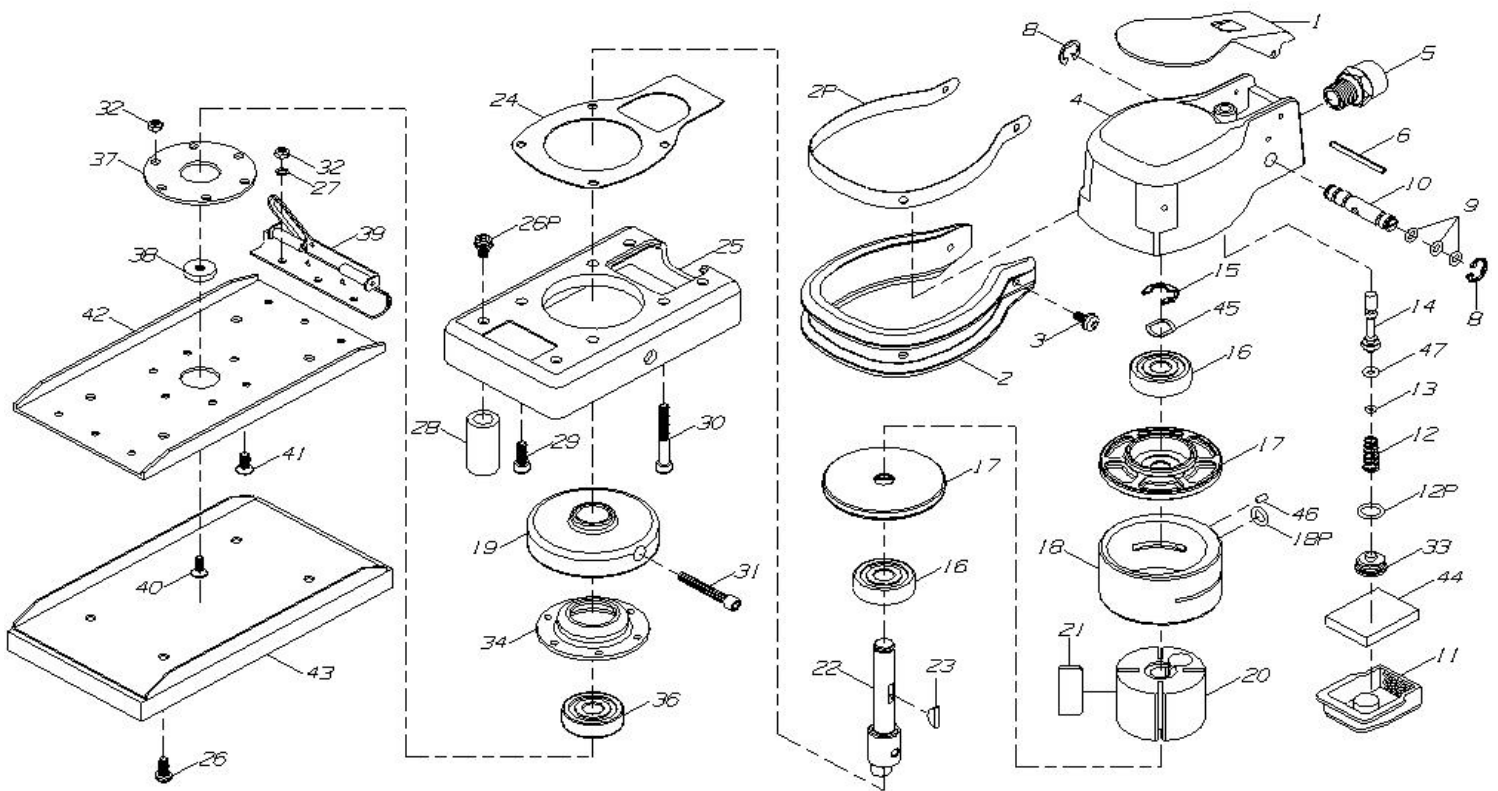


HEAVY DUTY AIR ORBITAL BLOCK SANDER

氣動軌道式打磨機



6301

INDEX NO.	DESCRIPTION	中文名稱	REQ'D NO.	INDEX NO.	DESCRIPTION	中文名稱	REQ'D NO.
01	Lever	壓板板機	1	24	Gasket	墊片	1
02	Rubber Grip	橡皮膠套	1	25	Base	底座	1
02P	Steel Circlip	鐵扣環	1	26	Mount Screw	螺絲	4
03	Grip Screw	膠套螺絲	4	26P	Mount Screw W / Washer	螺絲/合墊圈	4
04	Body	手柄	1	27	Spring Washer	墊圈	6
05	Inlet Screw	1/4"進氣口	1	28	Rubber Post	橡皮柱	4
06	Pin	板機固定銷	1	29	Cap Screw	螺絲	2
08	Retainer Ring	扣環	2	30	Cap Screw	螺絲	2
09	O-Ring	O型環	3	31	Balance Lock Screw	擺動體固定螺絲	1
10	Regulator	調整鈕	1	32	Nut	螺帽	12
11	Deflector	消音罩	1	33	Plug	進氣閥帽	1
12	Spring	彈簧	1	34	Bearing Housing	軸承殼	1
12P	O-Ring	O型環	1	36	Ball Bearing	滾珠軸承	1
13	O-Ring	O型環	1	37	Bearing Plate	墊板	1
14	Plunger	進氣頂桿	1	38	Washer	墊圈	1
15	Retainer Ring	扣環	1	39	Paper Clamp	砂紙夾板	2
16	Ball Bearing	滾珠軸承	2	40	Screw	螺絲	1
17	End Plate	端板	2	41	Screw	螺絲	12
18	Cylinder	氣缸	1	42	Shoe Plate	鋁板	1
18P	O-Ring	O型環	1	43	Sanding Pad	砂紙襯墊	1
19	Balance	擺動體	1	44	Muffler	消音棉	1
20	Rotor	轉子	1	45	Wave Washer	墊圈	1
21	Rotor Blade	葉片	4	46	Spring Pin	銷	1
22	Rotor Shaft	主軸	1	47	O-Ring	O型環	1
23	Key	鍵	1				

2005.11.02

2004.06.10 2007.03.05