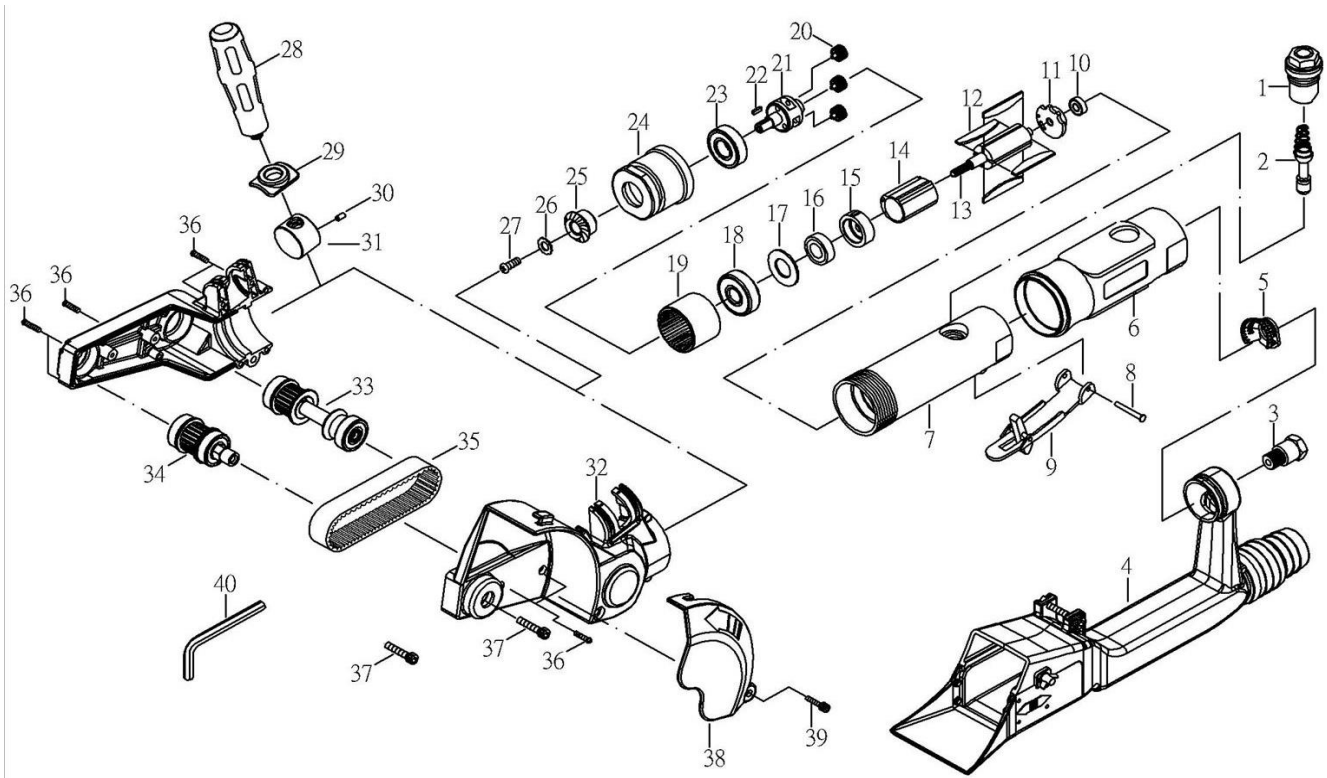


HEAVY DUTY AIR SURFACE REMOVAL TOOL



6420-V

INDEX NO.	DESCRIPTION	REQ'D NO.	INDEX NO.	DESCRIPTION	REQ'D NO.
01	Regulator Set	1	21	Gear Plate	1
02	Valve Stem Set	1	22	Sliding Key	1
03	Air Inlet	1	23	Bearing	1
04	Vacuum Adapter	1	24	Clamp Nut	1
05	Cone Muffler	1	25	Bevel Gear	1
06	Protecting Rubber	1	26	Washer	1
07	Housing	1	27	Screw	1
08	Pin	1	28	Handle	1
09	Lever	1	29	Handle Ring	1
10	Bearing	1	30	Pin	1
11	Rear Plate	1	31	Nut	1
12	Rotor Blade	4	32	Plastic Housing	1
13	Rotor	1	33	Belt Drive Shaft Set	1
14	Cylinder Set	1	34	Belt Drive Shaft Set (M6)	1
15	Front Plate	1	35	Toothed Belt	1
16	Bearing	1	36	Screw	11
17	Washer	1	37	Screw	2
18	Bearing	1	38	Cover	1
19	Thread Ring Gear	1	39	Screw	1
20	Idler Gear Set	3	40	Hex. Wrench (5mm)	1

0000.00.00

2013.05.09 2019.07.09