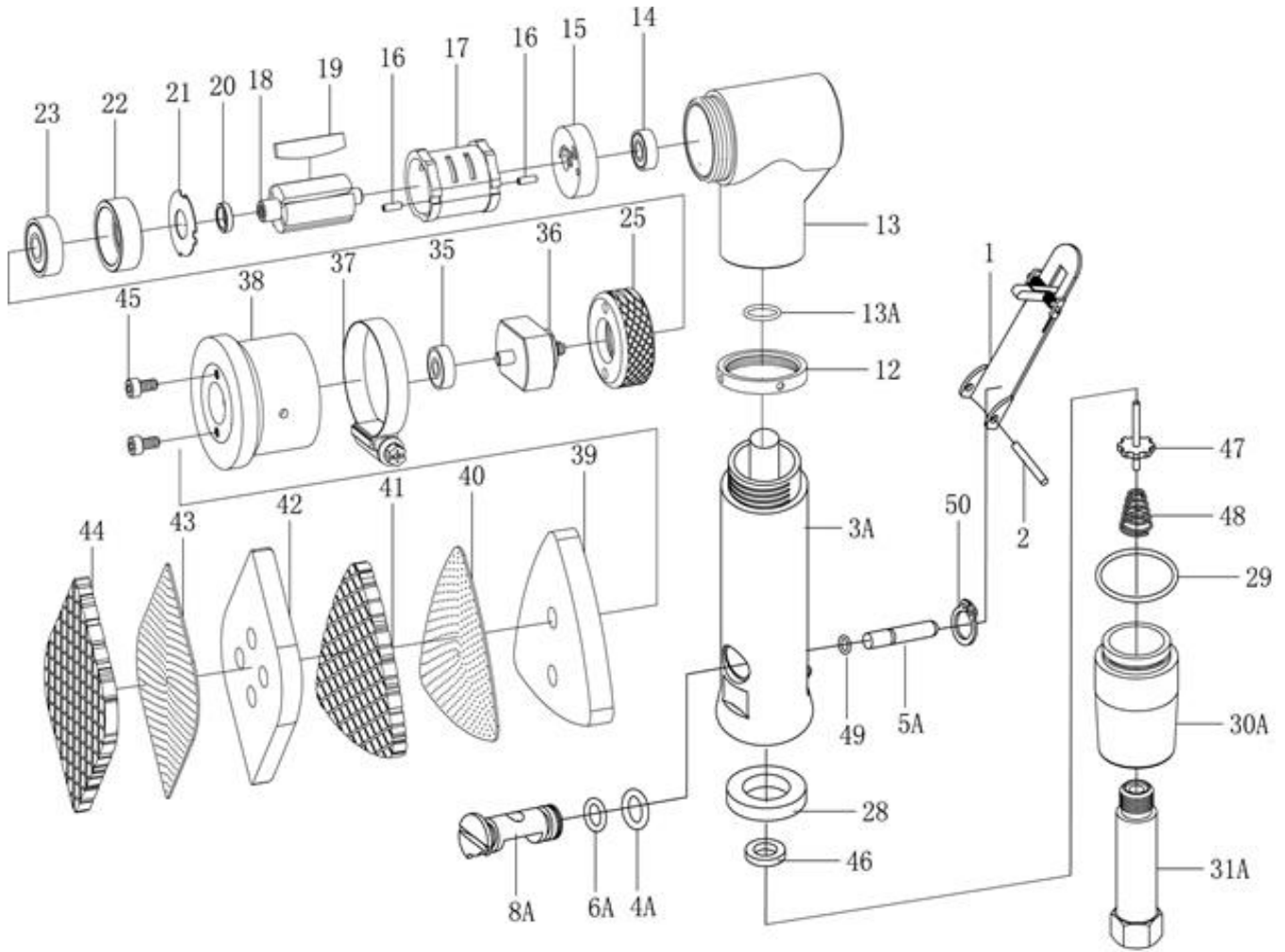


HEAVY DUTY ORBITAL AIR ANGLE SANDER



6514-A

INDEX NO.	DESCRIPTION	REQ'D NO.	INDEX NO.	DESCRIPTION	REQ'D NO.
01	Throttle Lever	1	30A	Air Deflector	1
02	Spring Pin	1	31A	Air Inlet	1
03A	Housing	1	35	Ball Bearing	1
04A	O-Ring	1	36	Balancer Shaft	1
05A	Valve Stem	1	37	Snap Ring	1
06A	O-Ring	1	38	Pad Holder	1
08A	Air Controller	1	39	Triangle Pad	1
12	Lock Nut	1	40	Sanding Disc #80	1
13	Housing	1	40A	Sanding Disc #120	1
13A	O-Ring	1	41	Conditioning Disc #300	1
14	Ball Bearing	1	41A	Conditioning Disc #600	1
15	Rear End Plate	1	42	Oval Pad	1
16	Spring Pin	2	43	Sanding Disc #80	1
17	Cylinder	1	43A	Sanding Disc #120	1
18	Rotor	1	44	Conditioning Disc #300	1
19	Rotor Blade	4	44A	Conditioning Disc #600	1
20	Spacer	1	45	Screw	2
21	Steel Plate	1	46	Seal	1
22	Front End Plate	1	47	Valve Stem	1
23	Ball Bearing	1	48	Spring	1
25	Cover	1	49	O-Ring	1
28	Silencer	1	50	Snap Ring	1
29	O-Ring	1			

0000.00.00

2014.08.15 2016.12.08