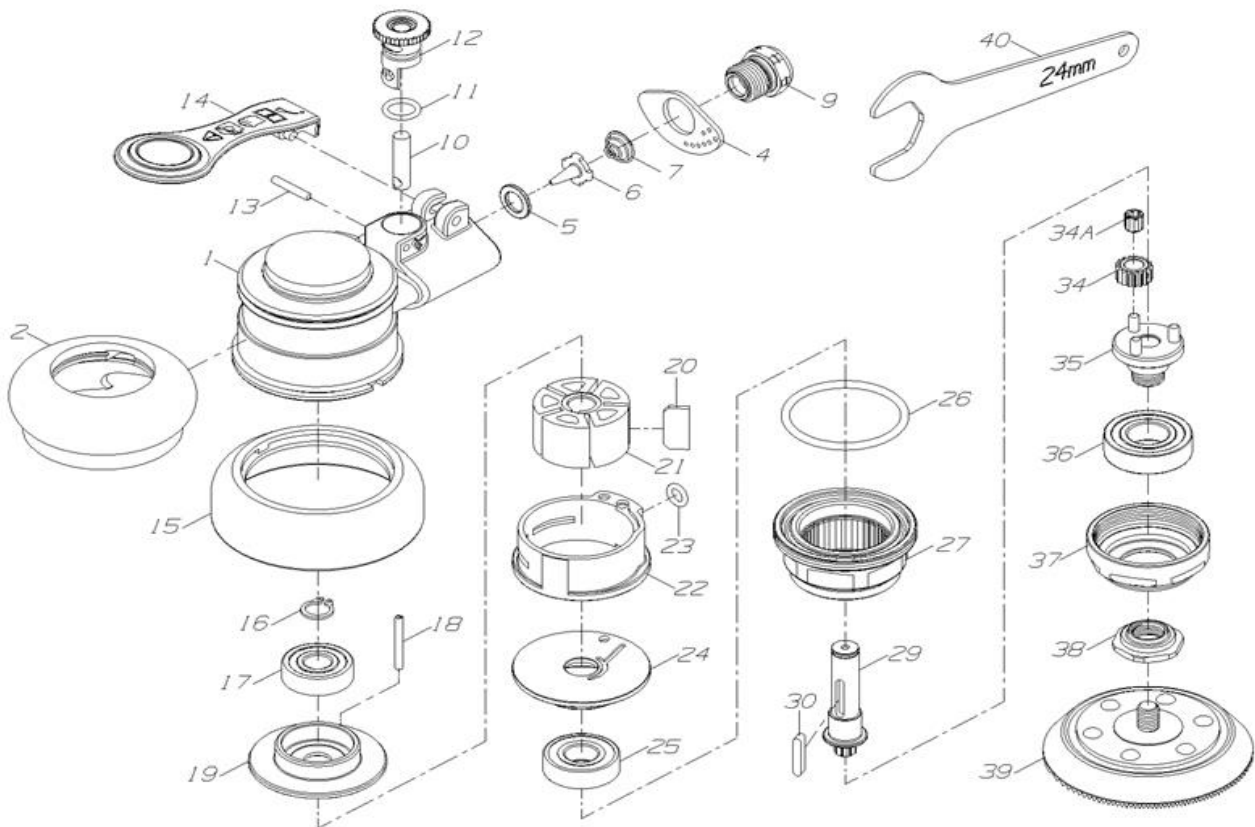


HEAVY DUTY AIR PALM POLISHER



6619

| INDEX NO. | DESCRIPTION | REQ'D NO. | INDEX NO. | DESCRIPTION | REQ'D NO. |
|-----------|-------------------|-----------|-----------|---------------------|-----------|
| 01 | Housing | 1 | 21 | Rotor | 1 |
| 02 | Housing Cover | 1 | 22 | Cylinder | 1 |
| 04 | Exhaust Deflector | 1 | 23 | O-Ring | 1 |
| 05 | Spacer | 1 | 24 | Front Plate | 1 |
| 06 | Controller | 1 | 25 | Ball Bearing | 1 |
| 07 | Spring | 1 | 26 | O-Ring | 1 |
| 09 | Air Inlet | 1 | 27 | Motor Cover | 1 |
| 10 | Valve Stem | 1 | 29 | Rotor Shaft | 1 |
| 11 | O-Ring | 1 | 30 | Key | 1 |
| 12 | Regulator | 1 | 34 | Gear | 3 |
| 13 | Pin | 1 | 34A | Needle Bearing | 3 |
| 14 | Lever | 1 | 35 | Gear Plate | 1 |
| 15 | Cover | 1 | 36 | Ball Bearing | 1 |
| 16 | Retaining Ring | 1 | 37 | Lock Nut | 1 |
| 17 | Ball Bearing | 1 | 38 | Drive Spindle | 1 |
| 18 | Pin | 1 | 39 | 3" Hook Surface Pad | 1 |
| 19 | Rear Plate | 1 | 40 | Wrench | 1 |
| 20 | Rotor Blade | 5 | | | |