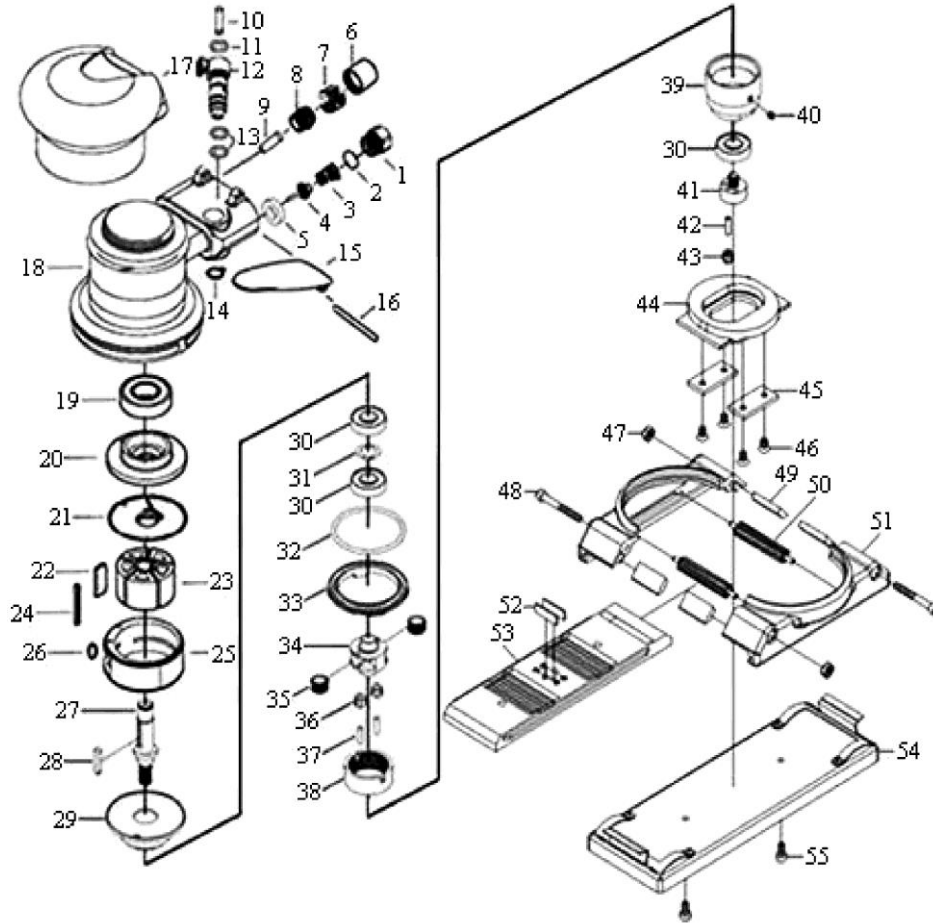


# HEAVY DUTY AIR STRAIGHT-LINE SANDER



6636-LS2

INDEX NO.	DESCRIPTION	REQ'D NO.	INDEX NO.	DESCRIPTION	REQ'D NO.
01	Inlet Housing	1	29	Front End Plate	1
02	Washer	1	30	Ball Bearing	3
03	Spring	1	31	Packing	1
04	Valve	1	32	O-Ring	1
05	Seal	1	33	Safeguard Bushing	1
06	Cover (AL)	1	34	Gear Cage	1
07	Felt	1	35	Gear	2
08	Muffler Body	1	36	Needle Roller	2
09	Cone Muffler	1	37	Pin	2
10	Valve Stem	1	38	Internal Gear	1
11	O-Ring	1	39	Gear Housing	1
12	Valve Bushing	1	40	Screw	1
13	O-Ring	2	41	Shaft	1
14	Snap Ring	1	42	Pin	1
15	Lever	1	43	Needle Roller	1
16	Spring Pin	1	44	Counter Weight	1
17	Rubber Cover	1	45	Guide Plate	2
18	Housing	1	46	Screw	4
19	Ball Bearing	1	47	Nut	2
20	Rear End Plate	1	48	Screw	2
21	Steel Plate	1	49	Felt	4
22	Rotor Blade	5	50	Transfer Pinion	2
23	Rotor	1	51	Gear Box	2
24	Spring Pin	1	52	Steel Plate	2
25	Cylinder	1	53	Slide Board	1
26	O-Ring	1	54	Pad	1
27	Motor Shaft Balancer	1	55	Screw	2
28	Key	1			