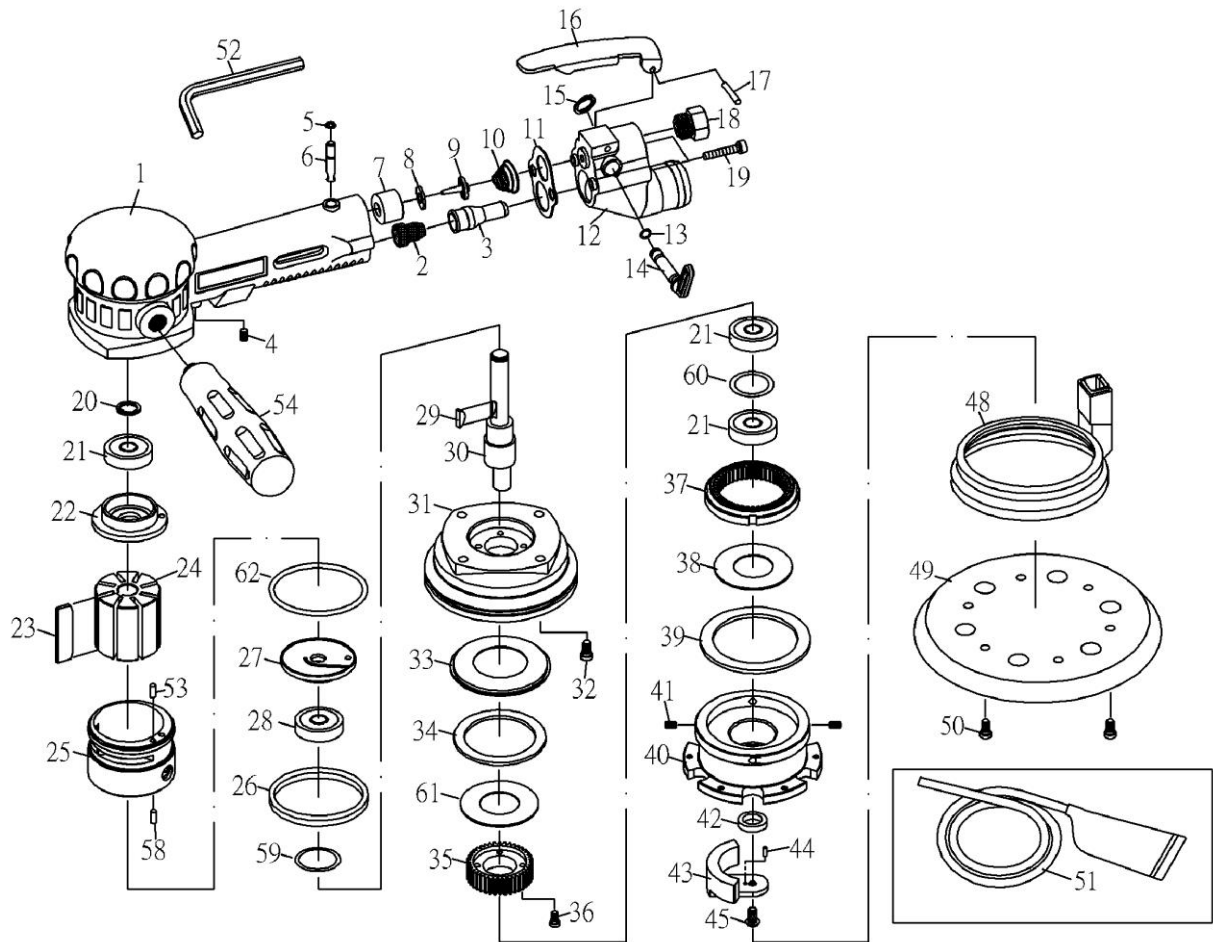


SUPER DUTY ORBITAL AIR GEAR-DRIVEN SANDER



6681-S5

| INDEX NO. | DESCRIPTION | REQ'D NO. | INDEX NO. | DESCRIPTION | REQ'D NO. |
|-----------|-------------------|-----------|-----------|----------------------|-----------|
| 01 | Housing | 1 | 30 | Motor Shaft Balancer | 1 |
| 02 | Cone Muffler | 1 | 31 | Housing Cover | 1 |
| 03 | Muffler Body | 1 | 32 | Screw | 4 |
| 04 | Screw | 1 | 33 | Faceplate | 1 |
| 05 | O-Ring | 1 | 34 | Dustproof Washer | 1 |
| 06 | Valve Stem | 1 | 35 | Gear | 1 |
| 07 | Bushing | 1 | 36 | Screw | 4 |
| 08 | Washer | 1 | 37 | Gear Link | 1 |
| 09 | Valve | 1 | 38 | Washer | 1 |
| 10 | Spring | 1 | 39 | Dustproof Washer | 1 |
| 11 | Packing | 1 | 40 | Gear Seat | 1 |
| 12 | Housing Back Seat | 1 | 41 | Screw | 4 |
| 13 | O-Ring | 2 | 42 | Bushing | 1 |
| 14 | Regulator | 1 | 43 | Balancer 5" | 1 |
| 15 | Snap Ring | 1 | 44 | Pin | 1 |
| 16 | Lever | 1 | 45 | Screw | 1 |
| 17 | Pin | 1 | 48 | Shroud | 1 |
| 18 | 1/4" Air Inlet | 1 | 49 | 5" Pad | 1 |
| 19 | Screw+Washer | 2 | 50 | Screw | 6 |
| 20 | Snap Ring | 1 | 51 | Rubber Hose & Bag | 1 |
| 21 | Bearing | 3 | 52 | Hex.(3mm) | 1 |
| 22 | Rear Plate | 1 | 53 | Pin | 1 |
| 23 | Rotor Blade | 8 | 54 | Handle | 1 |
| 24 | Rotor | 1 | 58 | Pin | 1 |
| 25 | Cylinder | 1 | 59 | Washer | 1 |
| 26 | O-Ring | 1 | 60 | Washer | 1 |
| 27 | Front Plate | 1 | 61 | Washer | 1 |
| 28 | Bearing | 1 | 62 | O-Ring | 1 |
| 29 | Rotor Key | 1 | | | |

0000.00.00

2013.04.25