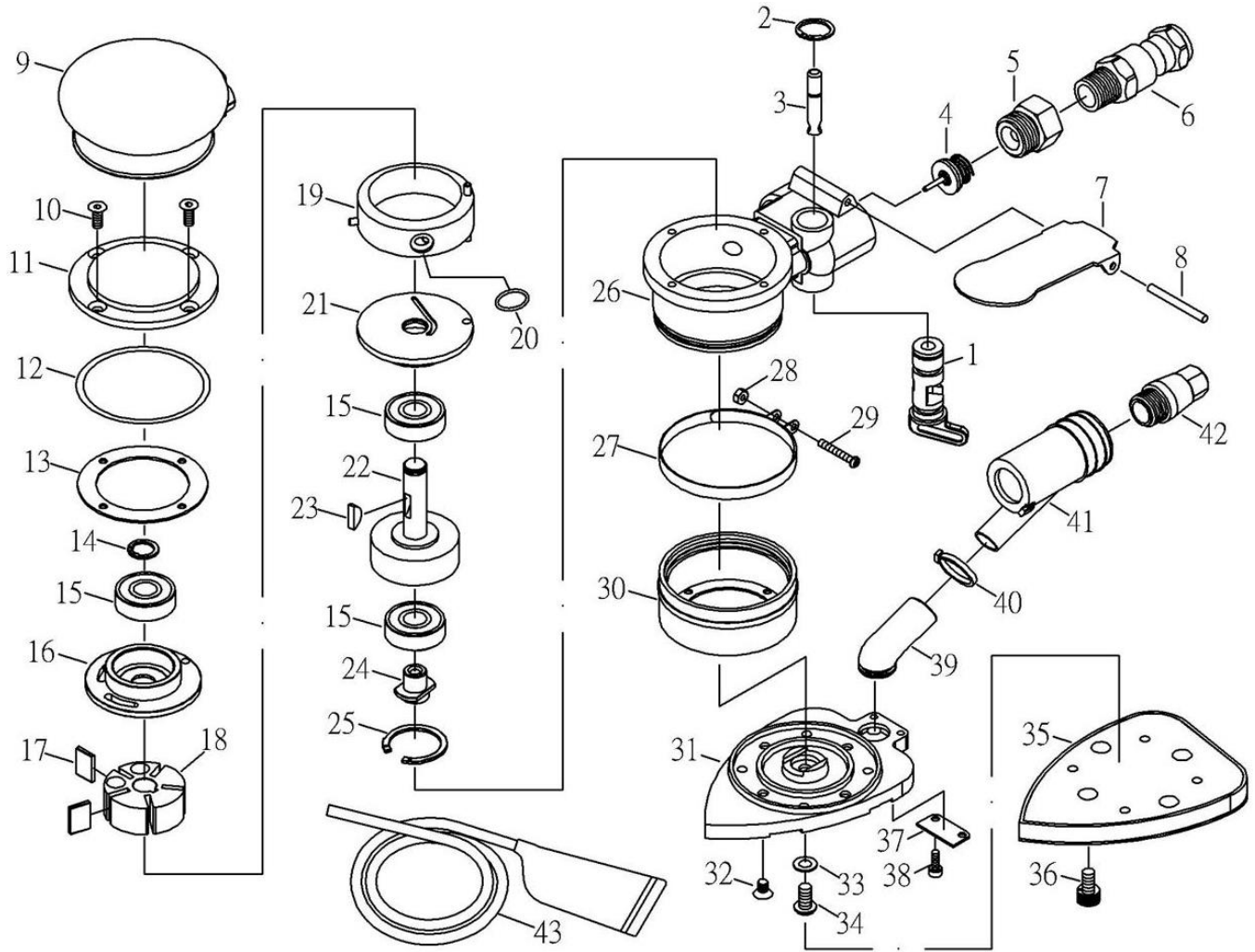


SUPER DUTY ORBITAL AIR DELTA SANDER



6685

INDEX NO.	DESCRIPTION	REQ'D NO.	INDEX NO.	DESCRIPTION	REQ'D NO.
01	Regulator Set	1	23	Key	1
02	Snap Ring	1	24	Shaft	1
03	Valve Stem Set	1	25	Snap Ring	1
04	Valve Set	1	26	Housing	1
05	Air Inlet	1	27	Skirt Band	1
06	Swivel Quick Coupler	1	28	Nut	1
07	Lever	1	29	Screw	1
08	Pin	1	30	Skirt	1
09	Protecting Rubber	1	31	Pad Seat	1
10	Screw	4	32	Screw	4
11	Top Cover	1	33	Washer	1
12	O-Ring	1	34	Screw	1
13	Packing	1	35	Pad Hook-Up	1
14	Snap Ring	1	36	Screw	4
15	Bearing	3	37	Cover	1
16	Rear Plate	1	38	Screw	2
17	Rotor Blade	5	39	Dust Hose	1
18	Rotor	1	40	Skirt Band	1
19	Cylinder Set	1	41	Vacuum Adapter	1
20	O-Ring	1	42	Muffler Body	1
21	Front Plate	1	43	Rubber Hose & Bag	1
22	Motor Shaft Balancer	1			

0000.00.00

2019.05.15 2019.06.06