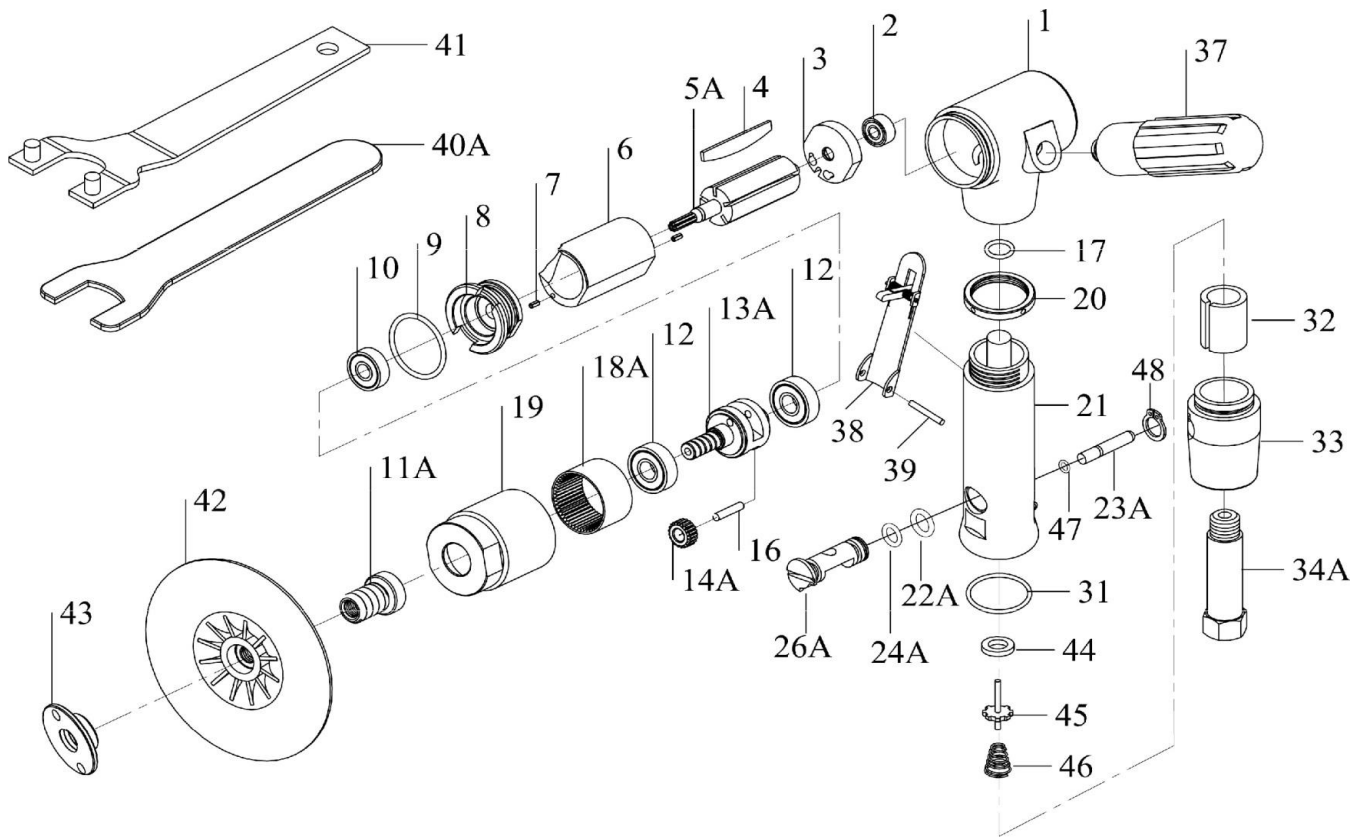


HEAVY DUTY AIR VERTICAL POLISHER



6705A

INDEX NO.	DESCRIPTION	REQ'D NO.	INDEX NO.	DESCRIPTION	REQ'D NO.
01	Housing	1	22A	O-Ring	1
02	Ball Bearing	1	23A	Valve Stem	1
03	Rear End Plate	1	24A	O-Ring	1
04	Rotor Blade	5	26A	Air Controller	1
05A	Rotor	1	31	O-Ring	1
06	Cylinder	1	32	Muffler	1
07	Spring Pin	2	33	Air Deflector	1
08	Front End Plate	1	34A	Air Inlet	1
09	O-Ring	1	37	Handle	1
10	Ball Bearing	1	38	Throttle Lever	1
11A	Pad Shaft (O.D:5/8"-11 w/ I.D:5/16"-24)	1	39	Spring Pin	1
	Pad Shaft (O.D:M14x2.0P w/ I.D:5/16"-24)		40A	Spanner	1
12	Ball Bearing	2	41	Stop Spanner	1
13A	Gear Cage	1	42	Pad Holder	1
14A	Gear	2	43	Nut	1
16	Pin	2	44	Seal	1
17	O-Ring	1	45	Valve Stem	1
18A	Internal Gear	1	46	Spring	1
19	Gear Housing	1	47	O-Ring	1
20	Lock Nut	1	48	Snap Ring	1
21	Housing	1			

0000.00.00
2013.06.10