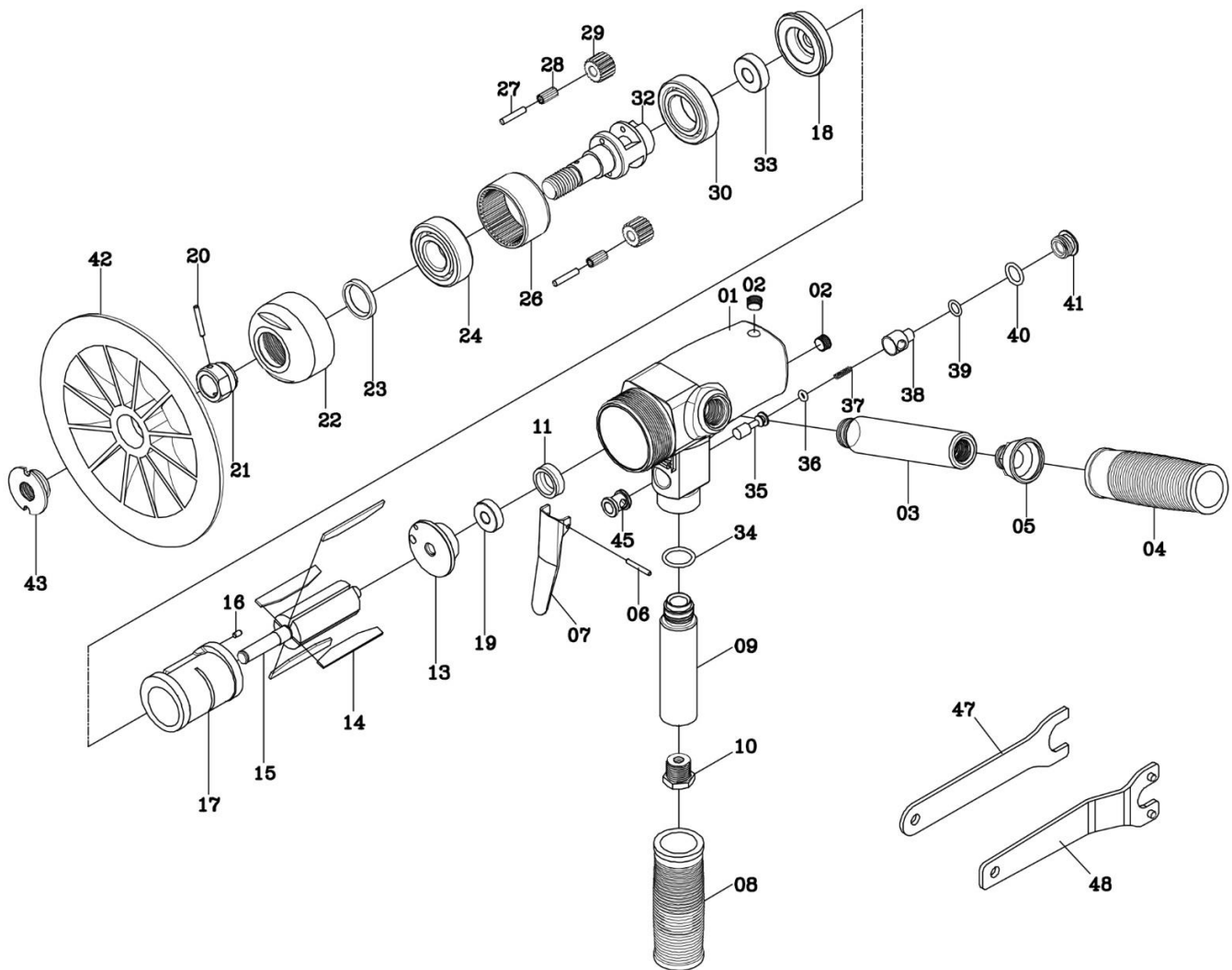


HEAVY DUTY AIR VERTICAL POLISHER



6752

INDEX NO.	DESCRIPTION	REQ'D NO.	INDEX NO.	DESCRIPTION	REQ'D NO.
01	Motor Housing	1	24	Ball Bearing	1
02	Set Screw	2	26	Internal Gear	1
03	Exhaust Handle	1	27	Needle Roller	2
04	Handle Grip (Exhaust)	1	28	Needle Roller	22
05	Exhaust Deflector	1	29	Planet Gear	2
06	Spring Pin	1	30	Ball Bearing	1
07	Throttle Lever	1	32	Planet Cage	1
08	Handle Grip (Inlet)	1	33	Ball Bearing	1
09	Inlet Handle	1	34	O-Ring	1
10	Air Inlet Bushing	1	35	Valve Stem	1
11	Bearing Cap	1	36	O-Ring	1
13	Rear End Plate	1	37	Valve Spring	1
14	Rotor Blade	4	38	Air Regulator	1
15	Rotor	1	39	O-Ring	1
16	Spring Pin	1	40	O-Ring	1
17	Cylinder	1	41	Valve Screw	1
18	Front End Plate	1	42	7" Pad	1
19	Ball Bearing	1	43	Pad Nut	1
20	Spring Pin	1	45	Bushing	1
21	Collar	1	47	Wrench (22mm)	1
22	Clamp Nut	1	48	Wrench (31mm)	1
23	Oil Seal (V-Model)	1			

0000.00.00

2011.05.30 2015.07.20