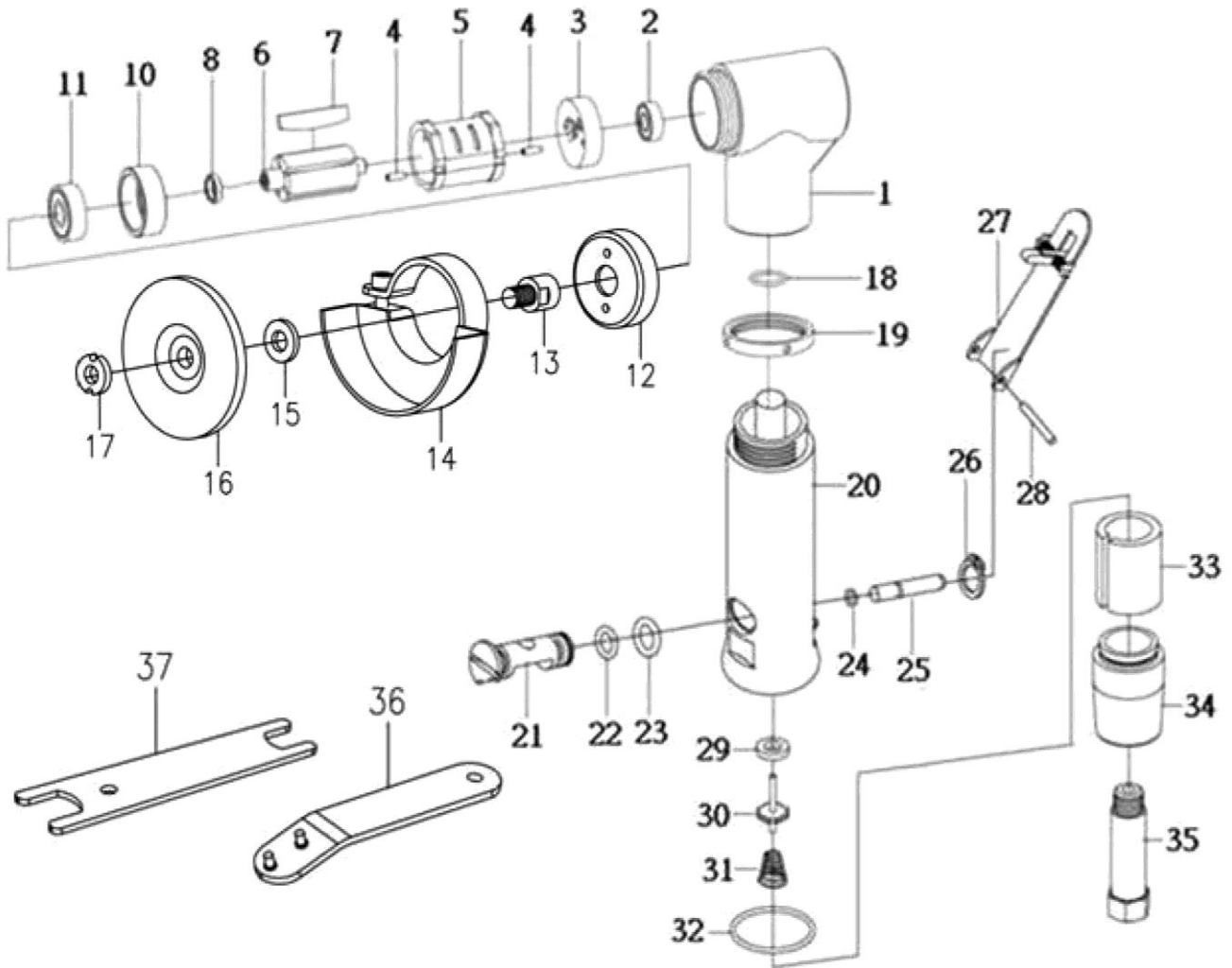


3" HEAVY DUTY AIR ANGLE GRINDER



6814

INDEX NO.	DESCRIPTION	REQ'D NO.	INDEX NO.	DESCRIPTION	REQ'D NO.
01	Housing	1	20	Housing	1
02	Bearing	1	21	Valve Bushing	1
03	Rear End Plate	1	22	O-Ring	1
04	Pin	2	23	O-Ring	1
05	Cylinder	1	24	O-Ring	1
06	Rotor	1	25	Valve Pin	1
07	Blade	5	26	Snap Ring	1
08	Spacer	1	27	Throttle Lever	1
10	Front End Plate	1	28	Spring Pin	1
11	Ball Bearing	1	29	Seal	1
12	Cover	1	30	Valve Stem	1
13	Lock Nut	1	31	Spring	1
14	Disc Cover	1	32	O-Ring	1
15	Grindstone Washer	1	33	Felt	1
16	Grindstone (Option)	1	34	Air Deflector	1
17	Grindstone Washer	1	35	Air Inlet	1
18	O-Ring	1	36	Pin Spanner	1
19	Lock Nut	1	37	Wrench	1

0000.00.00
2015.03.31