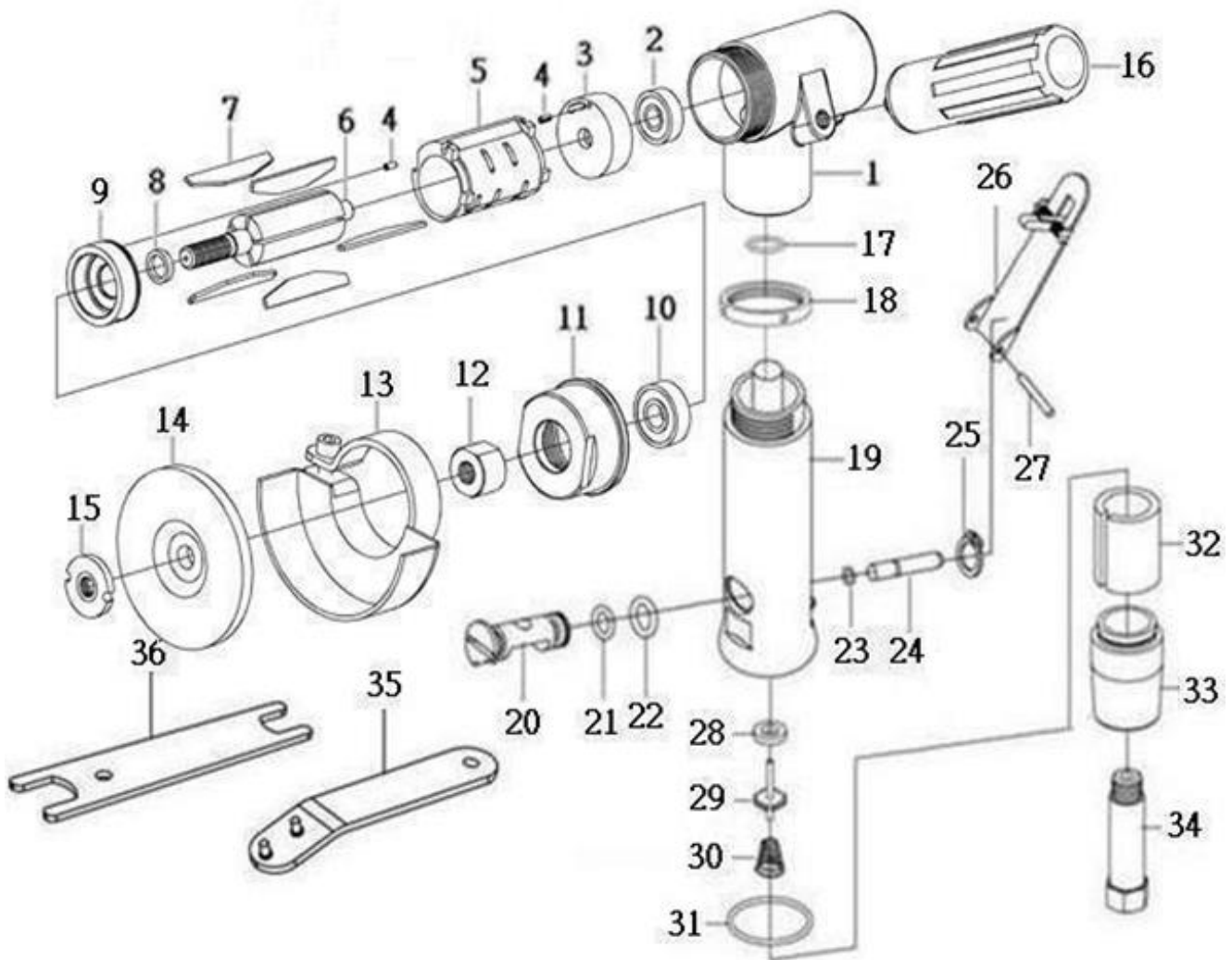


3" HEAVY DUTY AIR ANGLE GRINDER



6820

INDEX NO.	DESCRIPTION	REQ'D NO.	INDEX NO.	DESCRIPTION	REQ'D NO.
01	Housing	1	19	Housing	1
02	Bearing	1	20	Air Controller	1
03	Rear End Plate	1	21	O-Ring	1
04	Pin	2	22	O-Ring	1
05	Cylinder	1	23	O-Ring	1
06	Rotor	1	24	Valve Pin	1
07	Blade	5	25	Snap Ring	1
08	Spacer	1	26	Throttle Lever	1
09	Front End Plate	1	27	Spring Pin	1
10	Ball Bearing	1	28	Seal	1
11	Cover	1	29	Valve Stem	1
12	Lock Nut	1	30	Spring	1
13	Disc Cover	1	31	O-Ring	1
14	Grindstone (Option)	1	32	Felt	1
15	Grindstone Washer	1	33	Air Deflector	1
16	Handle	1	34	Air Inlet	1
17	O-Ring	1	35	Pin Spanner	1
18	Lock Nut	1	36	Wrench	1

0000.00.00

2014.04.14