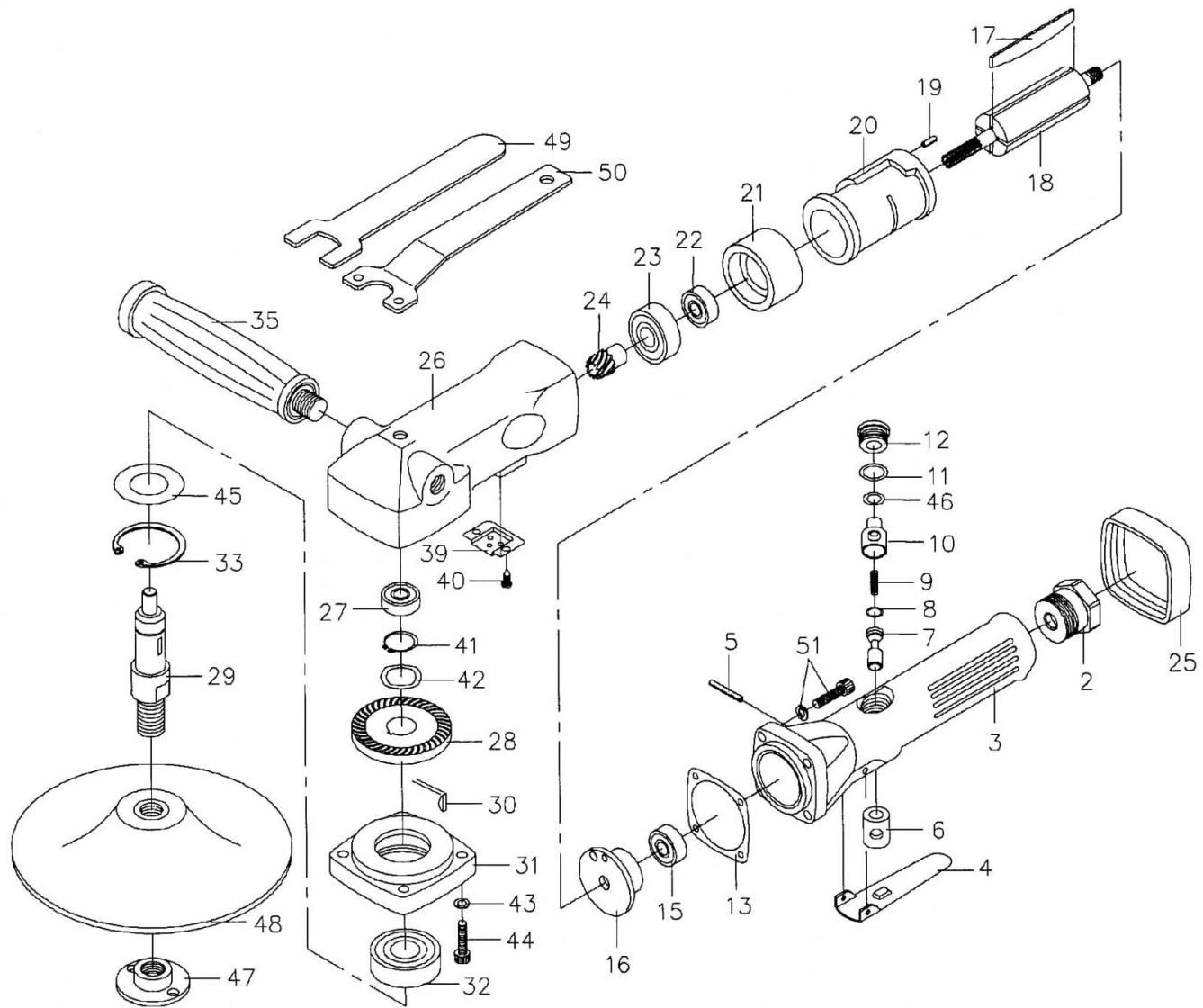


# HEAVY DUTY AIR ANGLE SANDER

## 氣動角向打磨機



6851

INDEX NO.	DESCRIPTION	中文名稱	REQ'D NO.	INDEX NO.	DESCRIPTION	中文名稱	REQ'D NO.
02	Air Inlet	1/4"進氣口	1	26	Motor Housing	手柄前段	1
03	Housing	手柄後段	1	27	Bearing	滾珠軸承	1
04	Lever	壓板板機	1	28	Bevel Gear	傘形齒輪	1
05	Lever Pin	板機固定銷	1	29	Spindle	主軸	1
06	Valve Bushing	節流缸	1	30	Woodruff Key	鍵	1
07	Valve Stem	進氣頂桿	1	31	Housing Cap	手柄前段護蓋	1
08	O-Ring	O型環	1	32	Bearing	滾珠軸承	1
09	Valve Spring	彈簧	1	33	Retaining Ring	扣環	1
10	Air Controller	調整鈕	1	35	Handle	輔助握把	1
11	O-Ring	O型環	1	39	Exhaust Deflector	排氣罩	1
12	Plug	進氣閥帽	1	40	Screw	螺絲	2
13	Gasket	墊片	1	41	Retaining Ring	扣環	1
15	Bearing	滾珠軸承	1	42	Wave Washer	墊圈	1
16	Rear End Plate	後端板	1	43	Spring Washer	墊圈	4
17	Rotor Blade	葉片	4	44	Screw	螺絲	4
18	Rotor	轉子	1	45	Wave Washer	墊圈	1
19	Spring Pin	固定銷	1	46	O-Ring	O型環	1
20	Cylinder	氣缸	1	47	Lock Nut	固定螺帽	1
21	Front End Plate	前端板	1	48	7" Sanding Pad	7"打磨襯墊	1
22	Bearing	滾珠軸承	1	49	Wrench	板手	1
23	Bearing	滾珠軸承	1	50	Wrench	板手	1
24	Pinion	傳動齒輪	1	51	Screw	螺絲	4
25	Housing Band	手柄橡皮護帶	1				