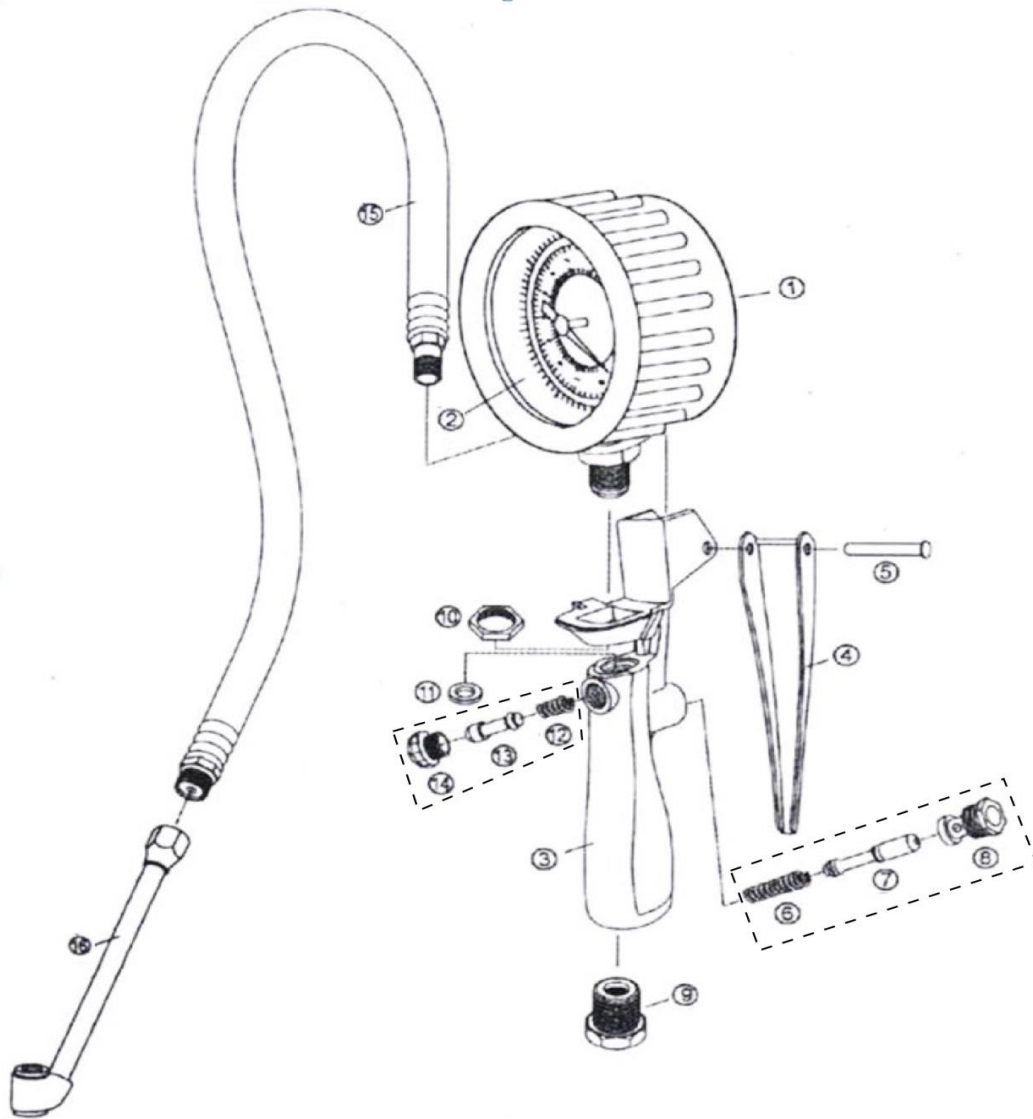


TIRE INFLATOR



79G07

INDEX NO.	DESCRIPTION	REQ'D NO.	INDEX NO.	DESCRIPTION	REQ'D NO.
01	Gauge Protector	1	10	Nut	1
02	Air Gauge	1	11	O-Ring	1
03	Gun Body	1	12	Spring	1
04	Trigger Level	1	13	Air Release Valve Stem	1
05	Roll Pin	1	14	Air Release Valve Seat	1
06	Spring	1	15	Rubber Hose	1
07	Trigger Valve Stem	1	16	Dual Chuck	1
08	Trigger Valve Seat	1	TK1	Trigger Valve Kit (06,07,08)	1 set
09	Inlet Plug Adaptor	1	TK2	Air Release Valve Kit (12,13,14)	1 set

0000.00.00

2014.04.10 2019.08.05

Ideal System Connection

