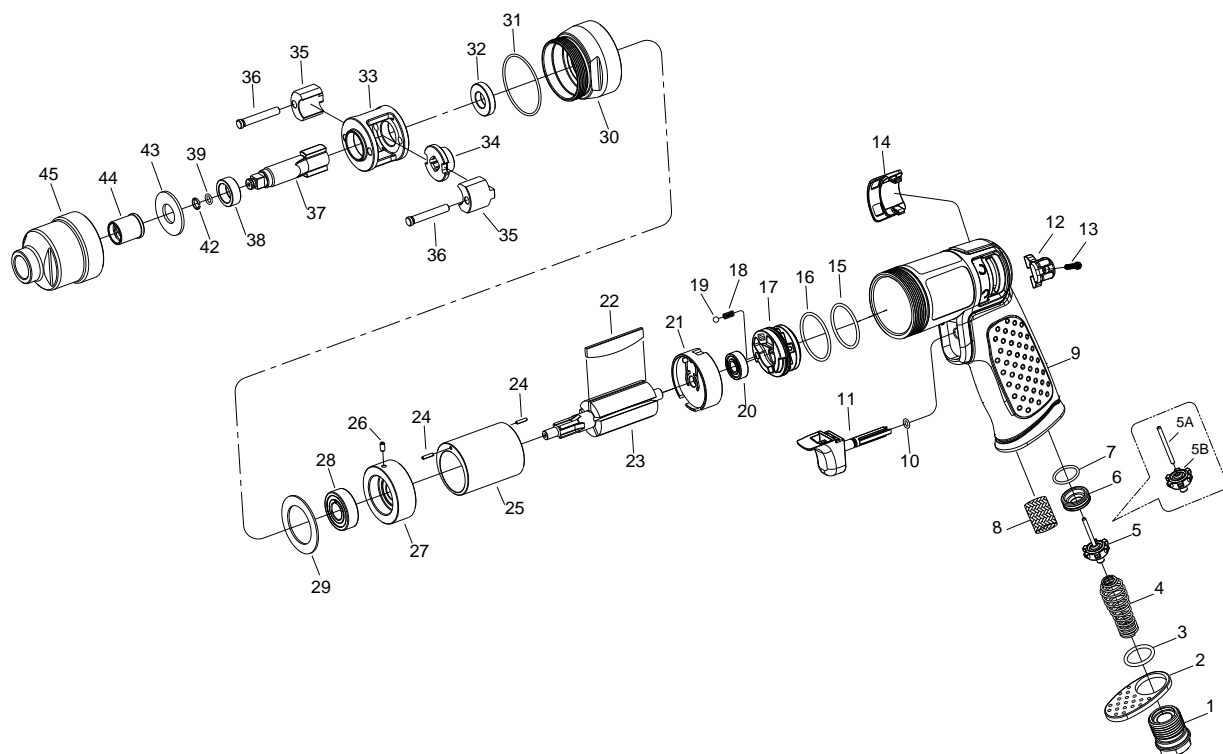


1/4" SQ. DR. HEAVY DUTY MINI AIR IMPACT WRENCH



1206

INDEX NO.	DESCRIPTION	REQ'D NO.	INDEX NO.	DESCRIPTION	REQ'D NO.
1	Air Inlet	1	22	Rotor Blade	5
2	Exhaust Deflector	1	23	Rotor	1
3	O-Ring	1	24	Spring Pin	2
4	Spring	1	25	Cylinder	1
★ 5	Throttle Valve Assembly (incl. 5A.5B)	1	26	Spring Pin	1
● 5A	Throttle Valve Pin	1	27	Front End Plate	1
● 5B	Throttle Valve	1	28	Ball Bearing	1
6	Throttle Valve Seat	1	29	Washer	1
7	O-Ring	1	30	Coupling Nut	1
8	Muffer Element	1	31	O-Ring	1
9	Motor Housing	1	32	Spacer	1
10	O-Ring	1	33	Hammer Frame	1
11	Trigger	1	34	Hammer Cam	1
12	Reverse Knob	1	35	Hammer	2
13	Screw	1	36	Hammer Pin	2
14	Reverse Plate	1	37	Standard Anvil	1
15	O-Ring	1	38	Bushing	1
16	O-Ring	1	39	O-Ring	1
17	Reverse Valve	1	42	Socket Retainer	1
18	Spring	1	43	Washer	1
19	Steel Ball	1	● 44	Bushing	1
20	Ball Bearing	1	★ 45	Hammer Case Assembly (incl.44)	1
21	Rear End Plate	1	TK	Tune-Up Kit { incl.3.4.7.10.15.16.18.19.22 (5).31.39.42 }	

★ Must be Purchased in Assembly Set

● Recommended not to be purchased alone due to assembly difficulty

20131104R3