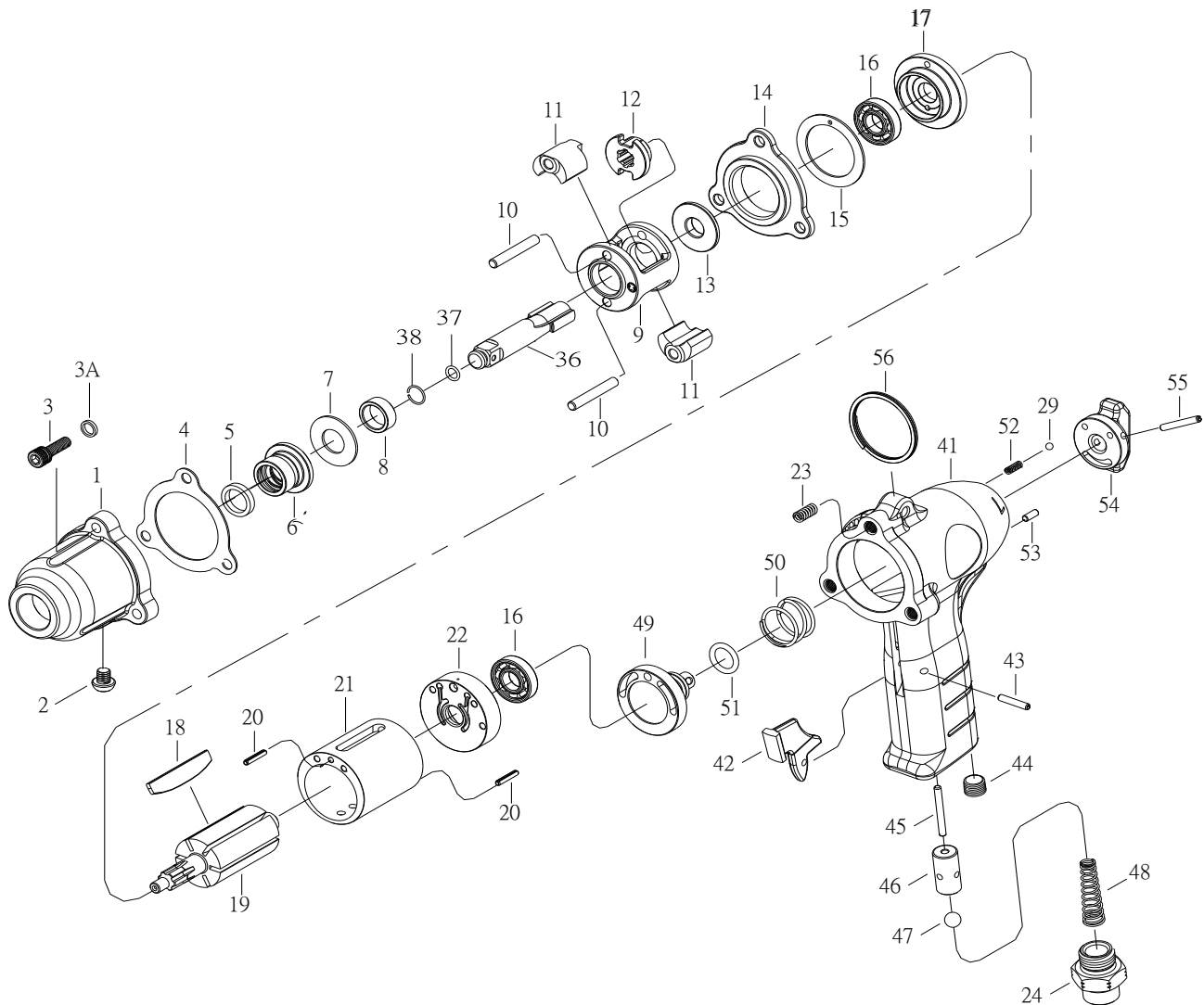


# 3/8" SQ. DR. SUPER DUTY IMPACT WRENCH



1303P

INDEX NO.	DESCRIPTION	REQ'D NO.	INDEX NO.	DESCRIPTION	REQ'D NO.
1	Hammer Case	1	● 23	Heli-Coil	3
2	Screw	1	24	Air Inlet	1
3	Screw	3	29	Steel Ball	1
3A	Washer	3	36	Standard Anvil	1
4	Gasket	1	37	O-Ring	1
5	Felt Ring	1	38	Socket Retainer	1
6	Bushing	1	★ 41	Motor Housing Assembly { incl.23 ( 3 ).46 }	1
7	Spacer	1	42	Trigger	1
8	Axle Bushing	1	43	Trigger Pin	1
9	Hammer Frame	1	44	Set Screw	1
10	Hammer Pin	2	45	Pin	1
11	Hammer	2	● 46	Throttle Valve Seat	1
12	Hammer cam	1	47	Nylon Ball	1
13	Spacer	1	48	Spring	1
14	Hammer Case Pivot	1	49	Reverse Valve	1
15	Gasket	1	50	Spring	1
16	Ball Bearing	2	51	O-Ring	1
17	Front End Plate	1	52	Spring	1
18	Rotor Blade	6	53	Pin	1
19	Rotor	1	54	Reverse Knob	1
20	Spring Pin	2	55	Spring Pin	1
21	Cylinder	1	56	Hanger	1
22	Rear End Plate	1	TK	Tune-Up Kit { 4.15.16 ( 2 ).18 ( 6 ).29.37.38.47.48.50.51.52. }	

★ Must be Purchased in Assembly Set

● Recommended not to be purchased alone due to assembly difficulty

PA3-03202P-2 20090731R1